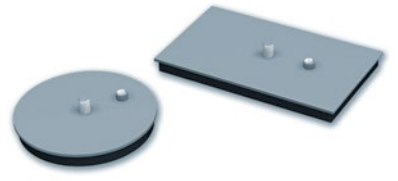


STEEL

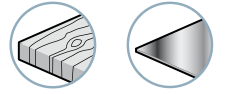
Steel Suction Cups with Bonded Seal With Bonded Seal



For horizontal handling of heavy loads (very thick sheet metal) or objects with an uneven surface such as concrete slabs or wood, etc.

Advantage: wide selection of shapes and sizes.

Industry-specific applications



Types of use



Materials

Body Painted steel
Foam seal Nitrile

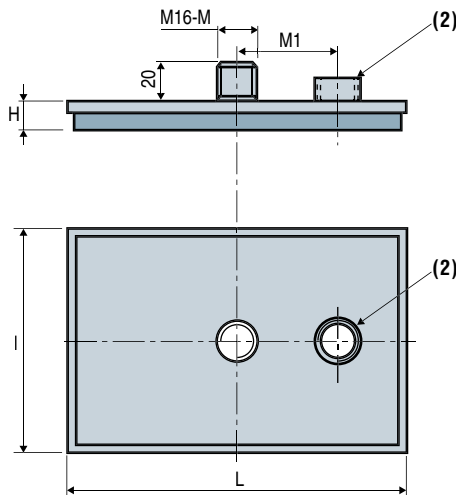
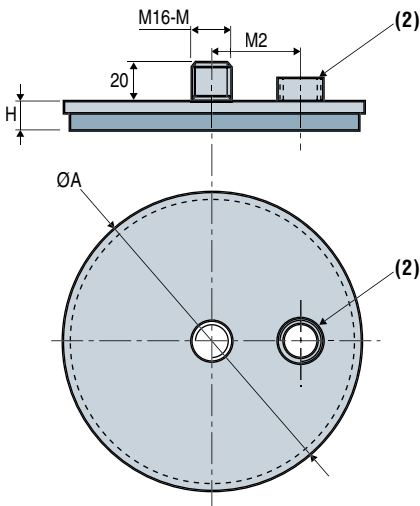
3

STEEL

Suction Cup Characteristics

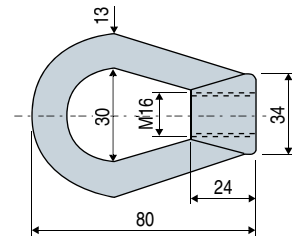
| Round suction cups | | | | Rectangular suction cups | | | | | | | | |
|--------------------|-----|----|----------------------|--------------------------|-----|-----|----|-------|---------------------|----------------------|--------------|--|
| | Ø A | H | (lbf) ⁽¹⁾ | | L | I | H | M1/M2 | Rac. ⁽²⁾ | (lbf) ⁽¹⁾ | Type of seal | |
| 5020 | 150 | 25 | 70 | 6020 | 175 | 115 | 25 | 40 | G1/4"-F | 75 | BM 2020 SPTR | |
| 5028 | 170 | 25 | 97 | 6028 | 215 | 115 | 25 | 45 | G1/4"-F | 96 | BM 2020 SPTR | |
| 5035 | 190 | 25 | 128 | 6035 | 225 | 125 | 25 | 50 | G1/4"-F | 115 | BM 2020 SPTR | |
| 5050 | 210 | 25 | 166 | 6050 | 250 | 150 | 25 | 60 | G1/4"-F | 169 | BM 2020 SPTR | |
| 5085 | 260 | 25 | 278 | 6085 | 305 | 180 | 25 | 70 | G1/4"-F | 271 | BM 2020 SPTR | |
| 5150 | 350 | 35 | 482 | 6150 | 410 | 250 | 35 | 80 | G3/8"-F | 485 | BM 3030 SPTR | |
| 5240 | 420 | 35 | 744 | 6240 | 480 | 310 | 35 | 100 | G3/8"-F | 768 | BM 3030 SPTR | |
| 5330 | 500 | 35 | 1111 | 6330 | 575 | 330 | 35 | 120 | G3/8"-F | 1016 | BM 3030 SPTR | |
| 5500 | 580 | 35 | 1550 | 6500 | 705 | 385 | 35 | 140 | G3/8"-F | 1531 | BM 3030 SPTR | |

(1) Force measured at 65% vacuum including a factor of 2.

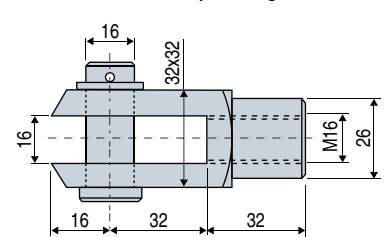


Fittings

■ 5000 An ring fitting



■ 5000 Ch cap fitting



The values represent the average characteristics of our products.
Note: All dimensions are in mm



For all orders, please specify:
Round suction cup: Model + Fitting model.
E.g.: 5050 5000 An

Option

Spring system mounting, see page 4/5.