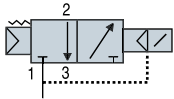
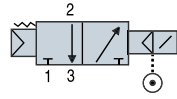




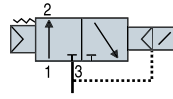
NC vacuum supplied servo
3: Exhaust
2: Use
1: Pump



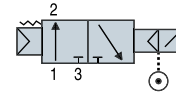
NC C.A. supplied servo
3: Exhaust
2: Use
1: Pump



NO vacuum supplied servo
3: Exhaust
2: Use
1: Pump

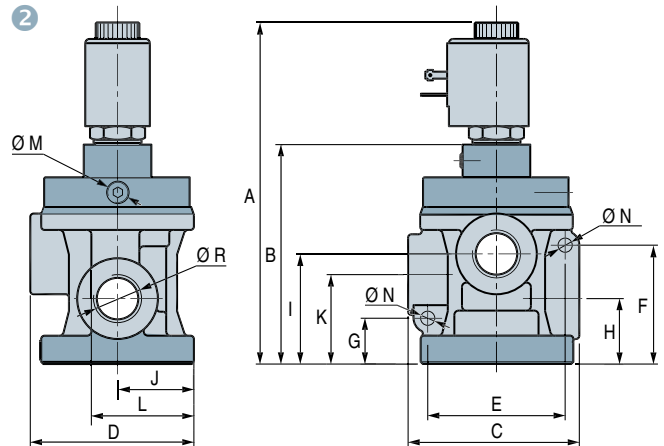
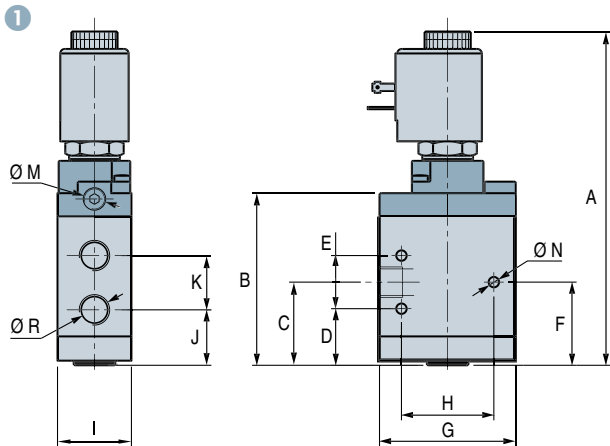


NO C.A. supplied servo
3: Exhaust
2: Use
1: Pump



Characteristics and Dimensions

Ref. NO C.A. servo	Ref. NC C.A. servo	Ref. NO Vacuum servo	Ref. NC Vacuum servo	Ø R	Diagram	A	B	C	D	E	F	G	H	I	J	K	L	Ø M	Ø N
AG 3002	AG 3001	-	-	G1/8"-F	1	102	48.5	16	5.3	-	15.8	36	28	25	7	17.5	-	M5-F	4.5
AG 3010	AG 3009	AG 3211	AG 3210	G1/4"-F	1	140.5	74	36	24.5	23	35.5	59	40	32	24	22.5	-	G1/8"-F	4.5
AG 3012	AG 3011	AG 3215	AG 3214	G3/8"-F	1	140.5	74	36	24.5	23	35.5	59	40	32	24	22.5	-	G1/8"-F	4.5
AG 3021	AG 3020	AG 3223	AG 3222	G1/2"-F	2	154	100	78.5	75	63	54.5	21	30	50.5	35	41	47	G1/8"-F	6.4
AG 3041	AG 3040	AG 3233	AG 3232	G3/4"-F	2	154	100	78.5	75	63	54.5	21	30	50.5	35	41	47	G1/8"-F	6.4
AG 3051	AG 3050	AG 3243	AG 3242	G1"-F	2	175	115	101	89	76	62.5	25.5	38	64	40	51	55	G1/8"-F	8.4
AG 3063	AG 3062	AG 3257	AG 3256	G1"1/2"-F	2	245.5	150	158	138	113.5	113	34	68	96	59	68	85	G1/8"-F	11



Specifications

Fluid	Non-lubricated 50 micron filtered air. If lubrication is used it must be uninterrupted	
Maximum vacuum	97 %	
Operating temperature	-4 to 104 °F	
Fluid temperature	max 104 °F	
Dynamic seal	polyurethane	
Static seal	NBR	
Coil power	11 VA	10 VA
Voltage	12 VDC / 24 VDC	24 VAC / 110 VAC / 220 VAC
Minimum vacuum for vacuum supplied servo	20 %	-

Flow Rate

Fitting	G1/8"	G1/4"	G3/8"	G1/2"	G3/4"	G1"	G1"1/2"
Nominal diameter [mm]	5.5	8	10	15	19	25	39
Flow rate [m³/h]	1.5	4	10	20	35	90	180
Response time (activation) ⁽¹⁾	15	18	18	20	20	20	60
Response time (deactivation) ⁽¹⁾	25	28	28	40	40	45	40
Minimum control pressure (bar) for C.A. servo	1.5	2.5	2.5	3	3	3	4

(1) with monostable electrical control

Note: All dimensions are in mm

Voltage code

Code	E1	E2	E3	E4	E5	E6	E7
Voltage	24 VDC	220 VAC	24 VAC	110 VAC	48 VAC	24 VDC NO	12 VDC



For all orders, please specify:
Model + Voltage
e.g.: AG3215E1