

The CSGS system is a comprehensive package that includes a specific suction pad and an optimized vacuum generator and guarantees high reliability for handling plastic or paper bags from 25 to 60 kg, used for packing powder and/or granulated products.

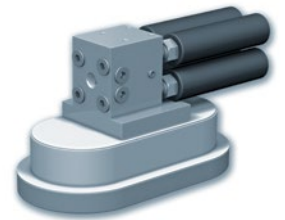
It is particularly recommended for robotic palletizing and de-palletizing applications that require a quick and secure implementation.

Gripping capacity:

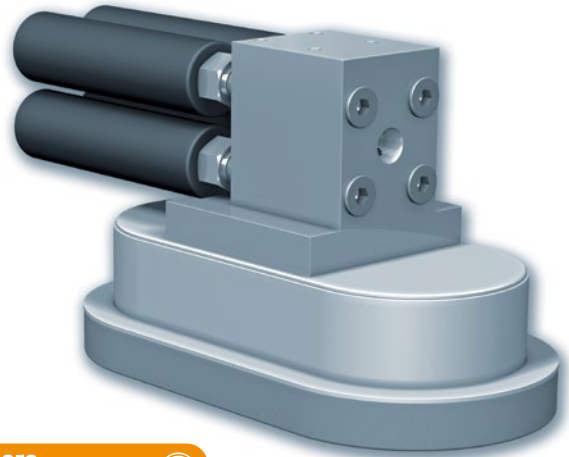
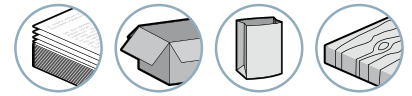
The CSGS...X35 models are equipped with a 250x150 mm suction pad allowing them handle loads of up to 35 kg, depending on the bag's resilience. The CSGS...X60 models are equipped with a 360x190 mm suction pad and can handle loads of up to 60 kg.

Advantages

- The CSGS system is designed to support the load handled by the suction pad and thus allows it to be installed directly onto the robot's arm.
- The CSGS system allows for a quick and cost-effective installation: it is fed by a single small-sized compressed air hose, which avoids the complexity of setting up a vacuum network consisting of large pipes and vacuum valves.
- The suction pad features a foam lip that ensures the maximum flexibility required for gripping a variety of product types.
- The specific vacuum generator has been designed to provide high air intake flow rates thus allowing for shorter response times and the handling of porous products.
- It does not include any membrane and has no internal moving parts. It therefore is clog-free and can be installed without requiring any filter on the vacuum network.
- Very low noise level thanks to external silencers.
- No heat emission, vibration-free.



Industry-specific



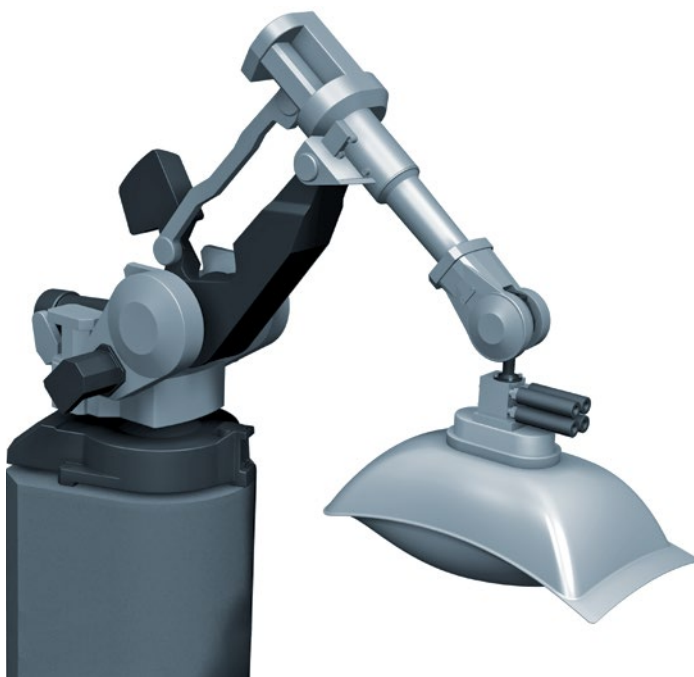
More information

Specifications

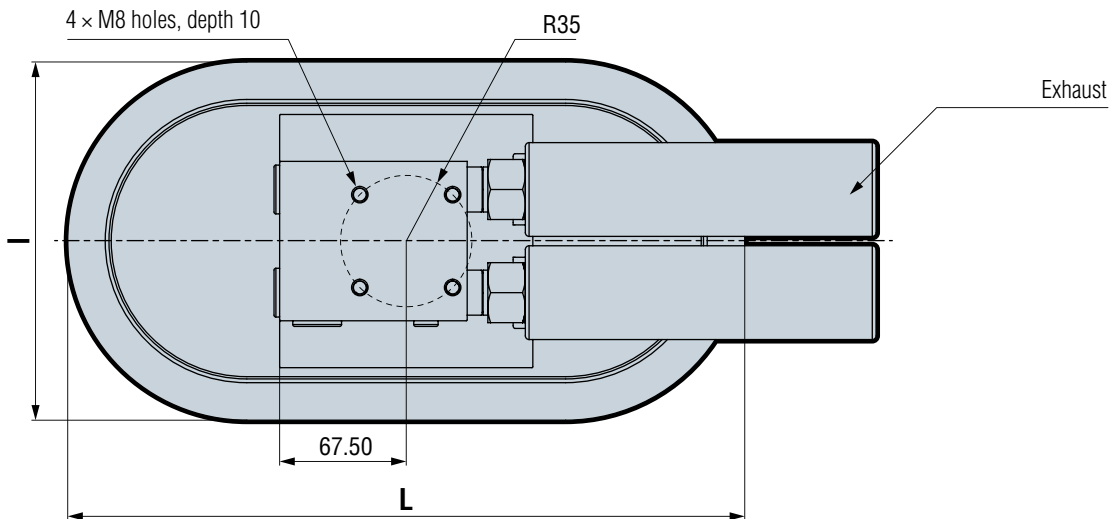
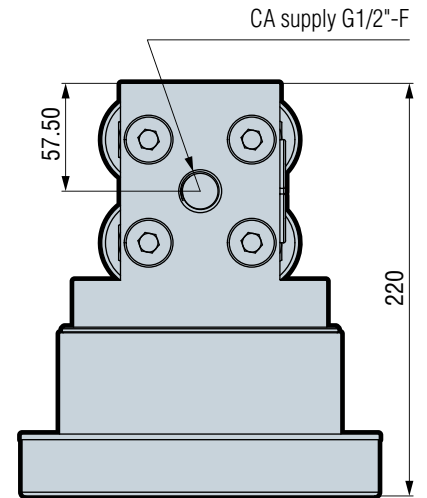
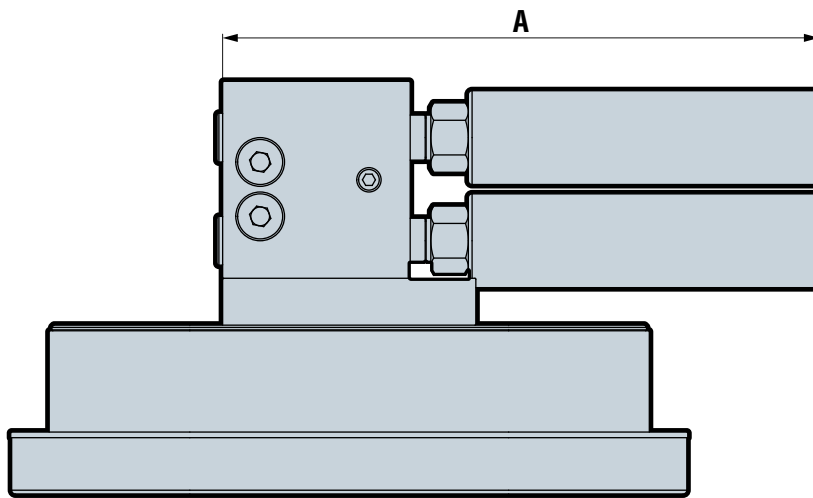
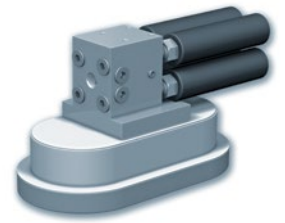
Feed pressure	Non-lubricated filtered air 2 to 6 bar
Optimal pressure	4 bar
Weight	From 7 to 8.3 kg, depending on model
Materials	NR, aluminum, CuZn, steel
Temperature	From 10 to 50 °C

Characteristics

Model	Air consumed (NI/min)			Maximum vacuum (%)	Air drawn (NI/min)
	4 bar	5 bar	6 bar		
CSGS4X15X35	400	480	560	75	720
CSGS4X20X35	720	864	1008	75	1000
CSGS4X25X60	1080	1296	1512	84	1440
CSGS4X30X60	1600	1920	2240	84	1800



 Please specify model, e.g.: CSGS4X15X35
Refer to characteristics table above



Model	L	I	A	Silencer
CSGS4X15X35	250	150	229	SILK12C
CSGS4X20X35	250	150	229	SILK12C
CSGS4X25X60	360	190	318	SILK34C
CSGS4X30X60	360	190	390	SILK34C

All dimensions are in mm.