

## Piloted Vacuum Valves



The piloted vacuum valve CSP series mounts directly on the suction cup and allows to maintain the vacuum in it, in case of emergency stop or malfunctioning of the vacuum generator.

The controlled dropping is done by connecting the fitting attached to the compressed air.

Note: The empty valve is not a positive safety feature. Regular maintenance is needed to ensure the proper functioning of the valve.

### Materials

**Valve** Nitrile (NBR)


**Body** Anodized aluminum

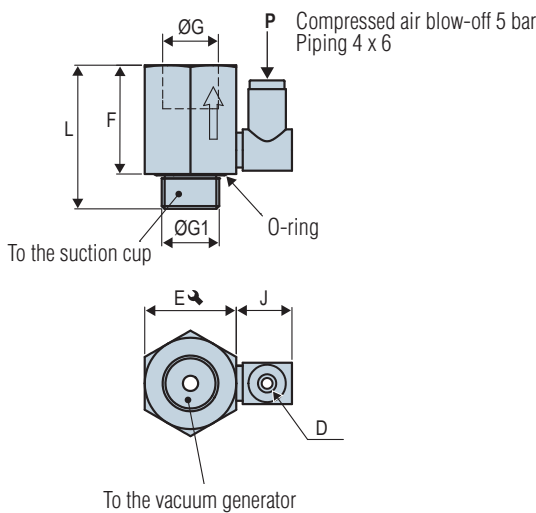
**Filter** Stainless steel screen 200  $\mu$

4

CSP

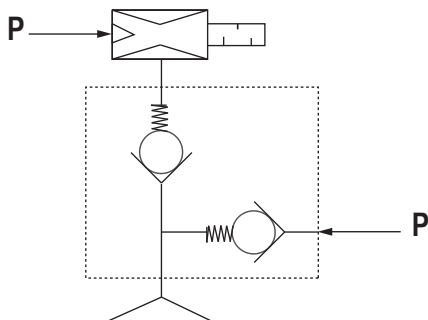
### Characteristics

Reference	$\varnothing G$	$\varnothing G1$	D	F	L	J	E 
CSP 14	G1/4"-F	G1/4"-M	4x6	25	33	12.8	21



### Mounting

- One piloted vacuum valve by suction cup.
- Blow-off pressure, minimum 5 bar.



Please specify the part e.g.: CSP14  
See part n° table above.

Note: All dimensions are in mm