



COVAL

vacuum managers

ZA des Petits Champs 26120 Montélier France
Tel : +33 (0)4 75 59 91 91 - www.coval.com

FPC120100

FR - Ventouses FlowPack - Elliptique 120 x 100 mm
EN - FlowPack Suction Cups - Elliptical, 120 x 100 mm
D - FlowPack Sauggreifer - Oval 120 x 100 mm
IT - Ventosa per il Flowpack - Ellittica, 120 x 100 mm
ES - Ventosa Flowpack - Forma ovalada (120 x 100 mm)

FPC120100



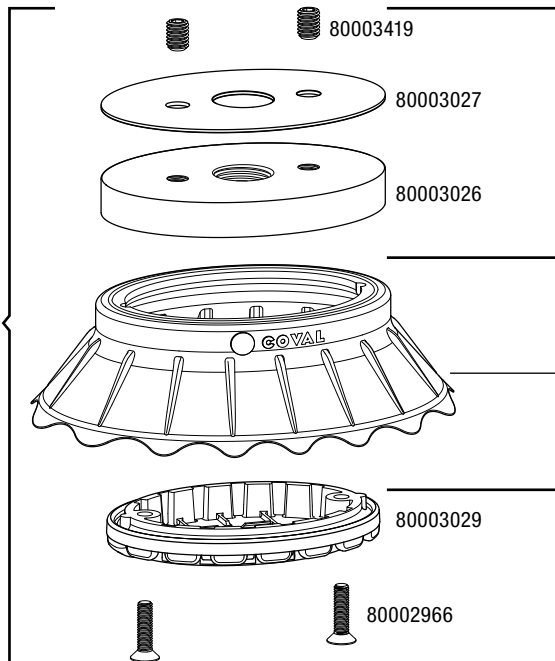
RÉFÉRENCE DES PIÈCES DÉTACHÉES
INDIVIDUAL PART REFERENCE
ARTIKELNUMMER DER ERSATZTEILE
CODICI DEI RICAMBI
REFERENCIA DE LAS PIEZAS SUELTAS

RÉFÉRENCE DES VENTOUSES COMPLÈTES
COMPLETE PART CONFIGURATION
ARTIKELNUMMER DES SAUGGREIFERS
CODICE DELLA VENTOSA COMPLETA
REFERENCIA DE LAS VENTOSAS COMPLETAS

- Ventouse + insert inférieur + insert supérieur G3/8"-F + joint plat + 2 vis inox M6x8 + 2 vis inox M4x16
- Suction cup + lower plate + upper plate G3/8"-F + flat seal + 2 stainless screws M6x8 + 2 stainless screws M4x16
- Sauggreifer + Befestigung Innenseite + Befestigung oben G3/8"-F + Dichtung + 2 Edelstahlschrauben M6x8 + 2 Edelstahlschrauben M4x16
- Ventosa = inserto inferiore + inserto superiore G3/8"-F + guarnizione + 2 viti inox M6x8 + 2 viti inox M4x16
- Ventosa + inserto inferior + inserto superior G3/8"-F + junta plana + 2 Tornillos inoxidable M6x8 + 2 Tornillos inoxidable M4x16

Dureté / Hardness / Härte / Durezza / Dureza :

- 35 Shore : **FPC120100SIBL3IF38P1V**
- 50 Shore : **FPC120100SIBL5IF38P1V**



IF38PFPC120

80003419 : 2 vis inox STHC M6x8 / 2 stainless screws M6x8 / 2 Edelstahlschrauben M6x8 / 2 viti inox M6x8 / 2 Tornillos inoxidable M6x8
 +
 80003027 : Joint plat / Flat seal / Dichtung / Guarnizione / Junta plana
 +
 80003026 : Insert supérieur G3/8"-F / Upper plate G3/8"-F / Befestigung oben G3/8"-F / Inserto superiore G3/8"-F / Inserto superior G3/8"-F

Ventouse seule / Suction cup only / Sauggreifer Gummiteil / Labbro ventosa / Ventosa suelta :

Dureté / Hardness / Härte / Durezza / Dureza :

- 35 Shore : **FPC120100SIBL3**
- 50 Shore : **FPC120100SIBL5**

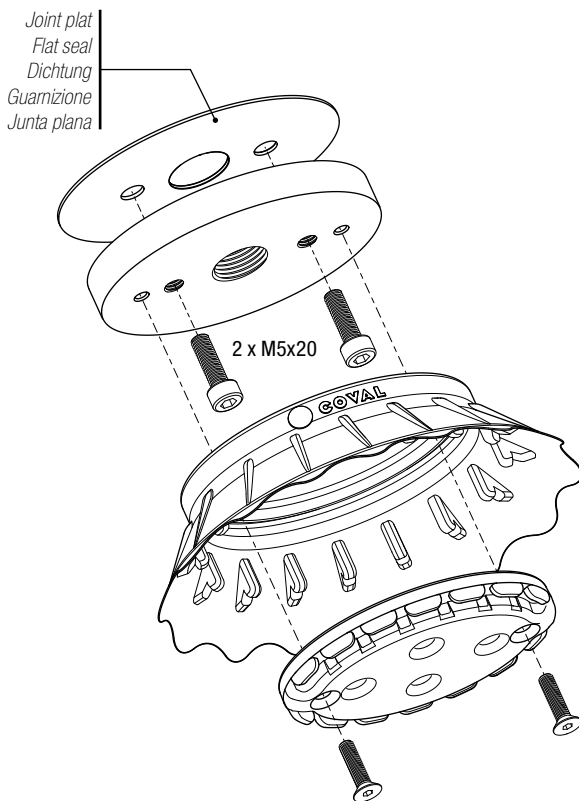
IL1PFPC120

80003029 : Insert inférieur / Lower plate / Befestigung Innenseite / Inserto inferiore / Inserto inferior
 +
 80002966 : 2 vis inox M4x16 / 2 stainless screws M4x16 / 2 Edelstahlschrauben M4x16 / 2 viti inox M4x16 / 2 Tornillos inoxidable M4x16

3 SOLUTIONS DE MONTAGE / 3 MOUNTING CONFIGURATIONS / 3 MONTAGEMÖGLICHKEITEN 3 CONFIGURAZIONI DI MONTAGGIO / 3 SOLUCIONES DE MONTAJE

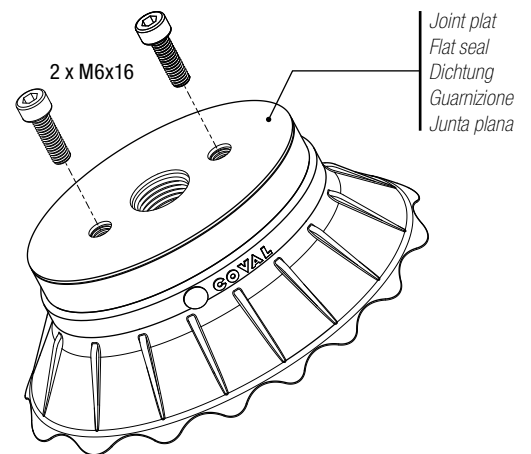
**Par le dessous / From below / von unten / Dalla parte inferiore /
Mediante la parte inferior**

- 2 vis M5x20 (non fournies) / 2 M5x20 screws (not included) / 2 Schrauben M5x20 (nicht im Lieferumfang enthalten) / 2 viti M5x20 (non comprese) / 2 tornillos M5x20 (no incluidos)



**Par le dessus / From above / von oben / Dalla parte superiore /
Mediante la parte superior**

- 2 vis M6x16 (non fournies) / 2 M6x16 screws (not included) / 2 Schrauben M6x16 (nicht im Lieferumfang enthalten) / 2 viti M6x16 (non comprese) / 2 tornillos M6x16 (no incluidos)



**Par le raccord G 3/8"-F / Via G3/8"-F connection / Innengewinde
G3/8"-F / Raccordo G3/8"-F / Mediante el racor G3/8" hembra**

