

# FSLI

## Liquid Separator Vacuum Filter



We particularly recommend using the FSLI series liquid separator vacuum filter to retain liquid and particles that may be found in a vacuum network. The filtering element consists of a 50 micron stainless steel filter and protects the vacuum generator under normal operating conditions.

### Advantages

- Transparent tank that makes clogging visible.
- Manual drain in the bottom of the tank used to remove any liquid and dirt (Note: This operation must only be carried out when the vacuum network is at atmospheric pressure).

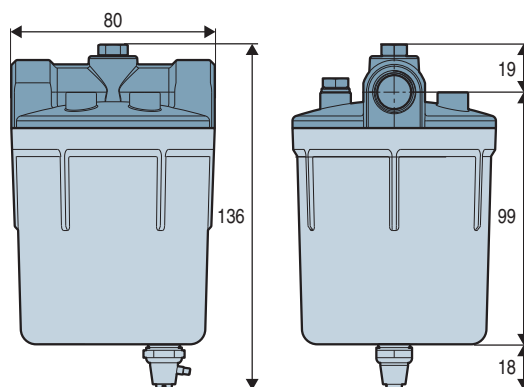
### Characteristics

Models	Fitting	Stainless steel filtering	Flow rate <sup>(1)</sup> (NI/min)
FSLI38X50	G3/8"-F	50 µ	350

(1) The flow rate may vary according to the viscosity of the liquid drawn in.

### Specifications

<b>Material</b>	Lid: molded aluminium Tank: transparent polycarbonate Filter cartridge: stainless steel Accessories: stainless steel, brass and nickel-plated brass Seal: nitrile
<b>Filtering</b>	Two options available: 50 microns
<b>Operating range</b>	-1 to 2 bar
<b>Pressure max.</b>	2 bar
<b>Temperature</b>	0 to 50 °C



For all orders, please specify:

- For complete filter: FSLI38X50
- For a replacement filtering element: FVUM12E

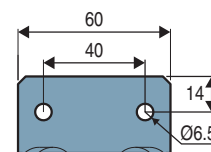
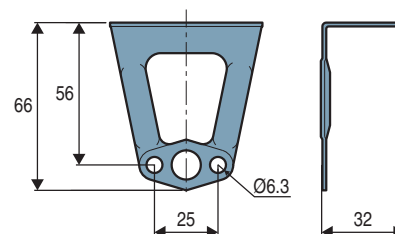
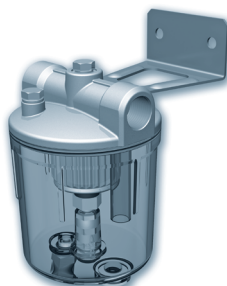
### Mounting bracket for FSLI series liquid separator filter

Material: zinc-plated steel

#### Model

**FSL38FIX** | Mounting bracket for FSLI filter

Note: Supplied with two M6 screws to mount bracket on filter.



Note: all dimensions are shown in (mm)



Specify part n°: FSL38FIX