

FSLI

Liquid Separator Vacuum Filter



We particularly recommend using the FSLI series liquid separator vacuum filters to retain liquid and particles that may be found in a vacuum network. The filtering element consists of a 50 micron stainless steel filter and protects the vacuum generator under normal operating conditions.

Advantages

- Transparent tank that makes clogging visible.
- Manual drain in the bottom of the tank used to remove any liquid and dirt (Note: This operation must only be carried out when the vacuum network is at atmospheric pressure).

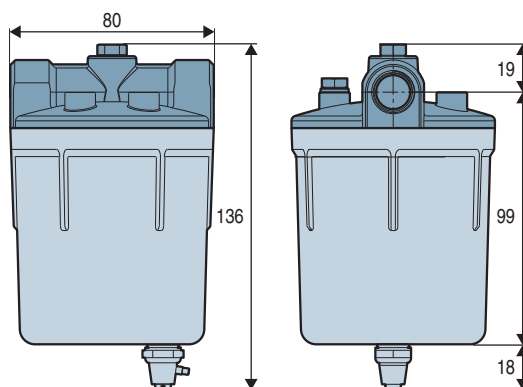
Characteristics

Models	Fitting	Stainless steel filtering	Flow rate ⁽¹⁾ (SCFM)
FSLI38X50	G3/8"-F	50 µ	12.25

(1) The flow rate may vary according to the viscosity of the liquid drawn in.

Specifications

Material	Lid: molded aluminium Tank: transparent polycarbonate Filter cartridge: stainless steel Accessories: stainless steel, brass and nickel-plated brass Seal: nitrile
Filtering	Two options available: 50 microns
Operating range	-1 to 2 bar
Pressure max.	2 bar
Temperature	32 to 122°F



For all orders, please specify:

- For complete filter: FSLI38X50
- For a replacement filtering element: FVUM12E

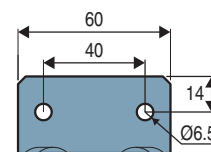
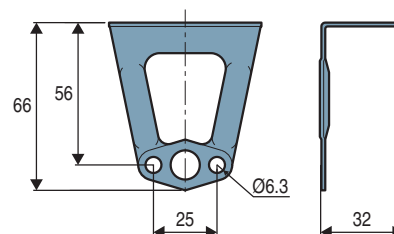
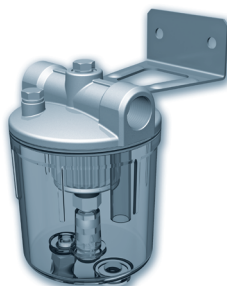
Mounting bracket for FSLI series liquid separator filter

Material: zinc-plated steel

Model

FSL38FIX Mounting bracket for FSLI filter

Note: Supplied with two M6 screws to mount bracket on filter.



Note: all dimensions are shown in (mm)



Specify part n°: FSL38FIX