

# FVUM. FVUG

## In-line Filters

The advantage of this range of filters is that they are equipped with a transparent tank so that clogging is visible.



### Characteristics

Models	A	B	C	D	G	Flow rate (NI/min)
FVUM 14	75	60	49.5	49.5	G1/4"-F	150
FVUM 38	75	64	49.5	51.5	G3/8"-F	350
FVUG 38	90.5	126.5	75	112.5	G3/8"-F	350
FVUG 12	90.5	130	75	114.5	G1/2"-F	500

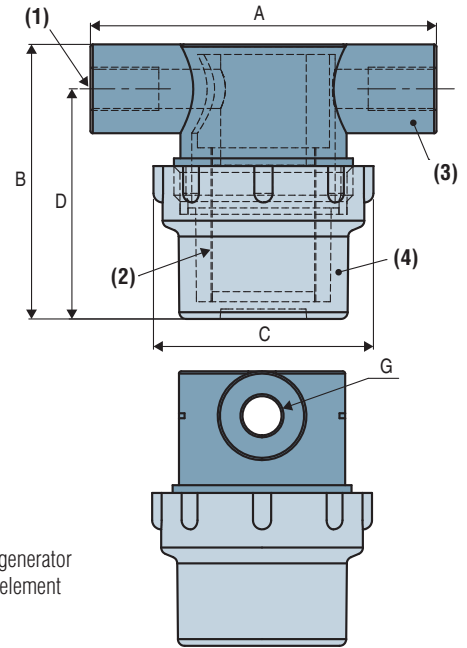
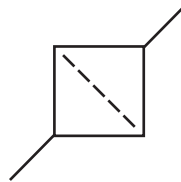
Note: all dimensions are shown in (mm)

### Operating range

■ - 1 to 10 bar

### Specifications

<b>Body material</b>	High: nylon 6.6 Tank: transparent polyamide
<b>Filtration</b>	Two options available: 50 micron stainless steel grill or Polyethylene 80 micron
<b>Temperature</b>	0 to 50°C



- (1) Vacuum generator
- (2) Filtering element
- (3) Body
- (4) Tank

 For all orders, please specify:  
**Model + Size + Fitting + Type of cartridge**  
e.g.: FVUG38P

1: Model	2: Size		3: Fitting		4: Cartridge	
FVU	M	Mini	14	G1/4" for M series	-	Stainless steel
	G	Large	38	G3/8" for M and G series	P	Polyethylene
			12	G1/2" for G series		

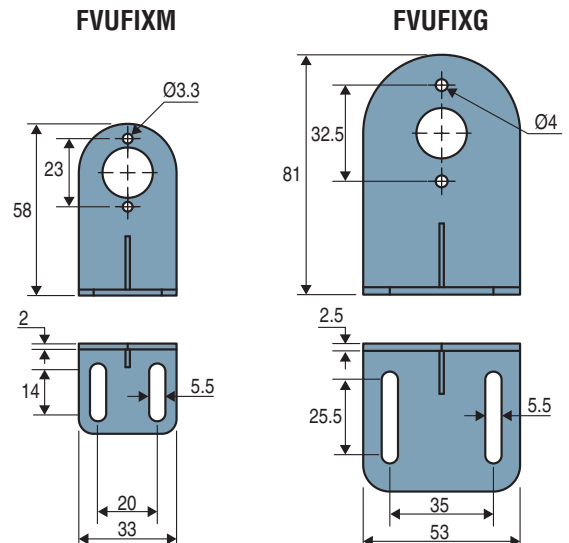


To order a replacement filtering element, please specify:  
e.g.: FVUM12E

Model	Reference of the filtering element
FVUM14 and 38	FVUM12E (Stainless steel)
FVUG12 and 38	FVUG12E (Stainless steel)
FVUM14P and 38P	FVUM12PE (Polyethylene)
FVUG12P and 38P	FVUG12PE (Polyethylene)

### Mounting bracket for vacuum filter

Model	Designation	Material
FVUFIXM	Mounting bracket for filter FVUM	Stainless steel
FVUFIXG	Mounting bracket for filter FVUG	Stainless steel



 Please specify part n°, eg: FVUFIXM  
Please see table above