

FVUM. FVUG

In-line Filters

The advantage of this range of filters is that they are equipped with a transparent tank so that clogging is visible.



Characteristics

Models	A	B	C	D	G	Flow rate (NI/min)
FVUM 14	75	60	49.5	49.5	G1/4"-F	150
FVUM 38	75	64	49.5	51.5	G3/8"-F	350
FVUG 38	90.5	126.5	75	112.5	G3/8"-F	350
FVUG 12	90.5	130	75	114.5	G1/2"-F	500

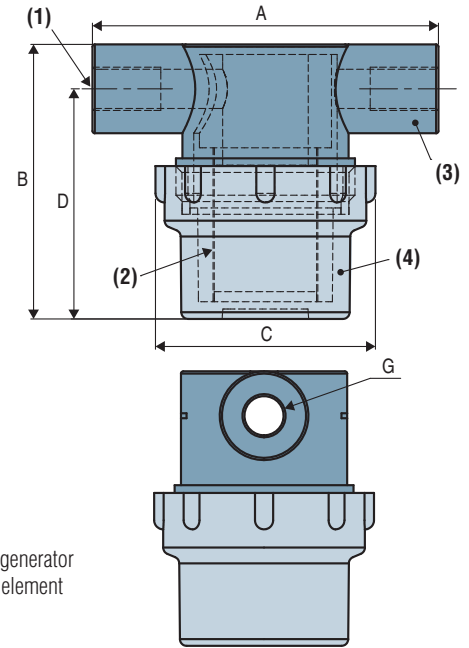
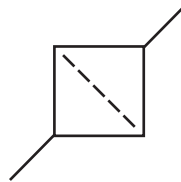
Note: all dimensions are shown in (mm)

Operating range

■ - 1 to 10 bar

Specifications

Body material	High: nylon 6.6 Tank: transparent polyamide
Filtration	Two options available: 50 micron stainless steel grill or Polyethylene 80 micron
Temperature	0 to 50°C



- (1) Vacuum generator
- (2) Filtering element
- (3) Body
- (4) Tank

FVUM. FVUG

 For all orders, please specify:
Model + Size + Fitting + Type of cartridge
e.g.: FVUG38P

1: Model	2: Size		3: Fitting		4: Cartridge	
FVU	M	Mini	14	G1/4" for M series	-	Stainless steel
	G	Large	38	G3/8" for M and G series	P	Polyethylene
			12	G1/2" for G series		

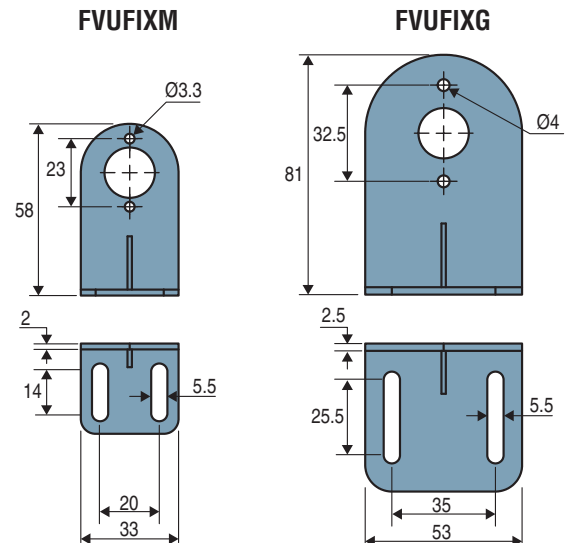
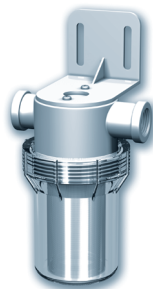


To order a replacement filtering element, please specify:
e.g.: FVUM12E

Model	Reference of the filtering element
FVUM14 and 38	FVUM12E (Stainless steel)
FVUG12 and 38	FVUG12E (Stainless steel)
FVUM14P and 38P	FVUM12PE (Polyethylene)
FVUG12P and 38P	FVUG12PE (Polyethylene)

Mounting bracket for vacuum filter

Model	Designation	Material
FVUFIXM	Mounting bracket for filter FVUM	Stainless steel
FVUFIXG	Mounting bracket for filter FVUG	Stainless steel



 Please specify part n°, eg: FVUFIXM
Please see table above