



Industry-specific applications



The GVEC series “Easy Clean” vacuum pumps have been designed to meet the needs of vacuum handling applications in industries whose production requires frequent cleaning, particularly in the food-processing sector.

### Characteristics

Model	Ø Nozzle (mm)	Air consumed (NI/min)	Max. vacuum (%)	Air drawn in (NI/min)	At air pressure (bar)
GVEC15T18	1.5	100	75	95	4
GVEC25T14	2.5	270	75	240	4
GVEC30T14	3	400	75	330	4

### Advantages

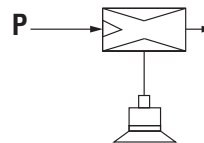
- Plastic and stainless steel materials: meet the requirements of splash zones, are resistant to cleaning agents and corrosion.
- Compact and light design: installation as close as possible to suction cups to improve the evacuation times and production rate.
- Easy disassembly: quick and precise cleaning.

### Evacuation Time in Seconds per Liter

% vacuum	10 %	20 %	30 %	40 %	50 %	60 %	70 %
GVEC15T18	0.07	0.15	0.24	0.36	0.52	0.77	1.27
GVEC25T14	0.03	0.06	0.10	0.14	0.21	0.30	0.50
GVEC30T14	0.02	0.04	0.07	0.10	0.15	0.22	0.37

### Specifications

Supply	Non-lubricated filtered air, pressure 2 to 6 bar	
Optimum pressure	4 bar	
Weight	GVEC15T18	33 g
	GVEC25T14	139 g
	GVEC30T14	159 g
Material	Body and mixer	POM-C
	Nozzle	316L Stainless Steel
	Seal	EPDM
Operating temperature	From 0 to 50 °C	
Cleaning temperature	max. 100°C	

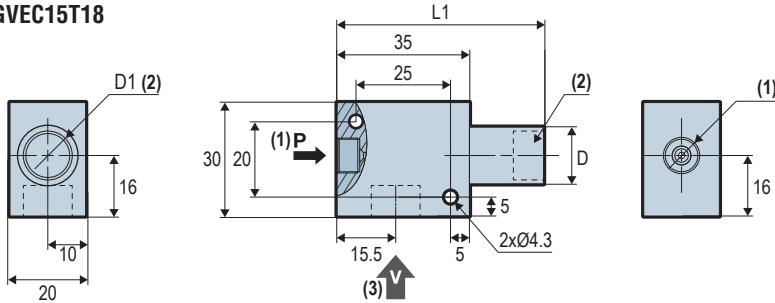


Specify the part number e.g.: GVEC25T14  
Please refer to the characteristics table above

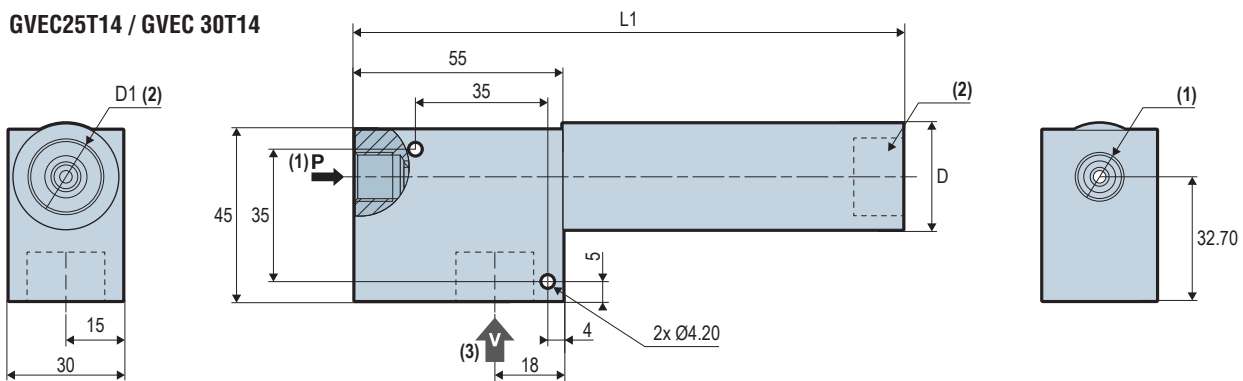


#### Dimensions

##### GVEC15T18



##### GVEC25T14 / GVEC 30T14



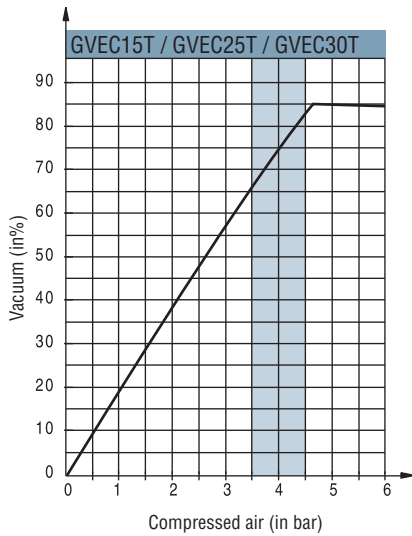
Models	L1	D	(1)	D1 (2)	(3)
GVEC15T18	54.6	16	G1/8"-F	G1/4"-F	G1/4"-F
GVEC25T14	120.9	28	G1/4"-F	G1/2"-F	G1/2"-F
GVEC30T14	144.9	28	G1/4"-F	G1/2"-F	G1/2"-F

- (1) Pressure fitting
- (2) Exhaust
- (3) Vacuum fitting

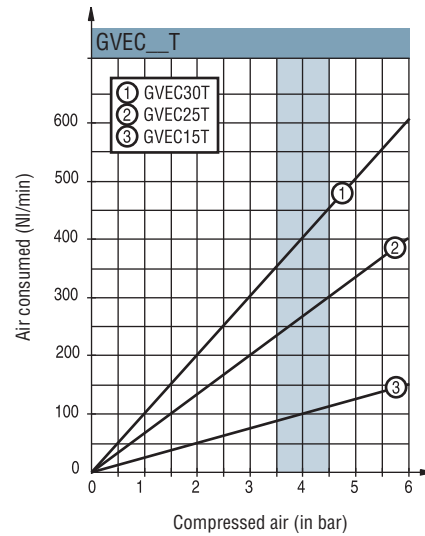
Note: all dimensions are in mm



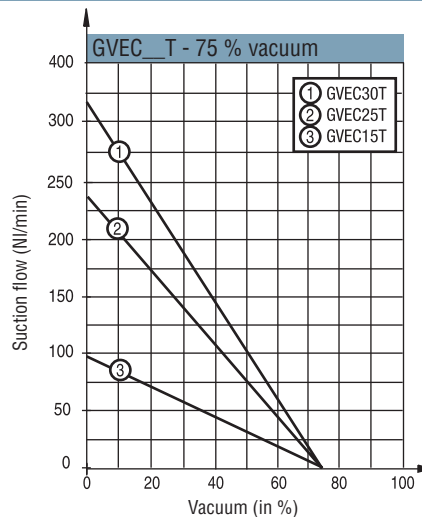
#### Vacuum Generated - Supply pressure 4 bar



#### Air Consumed - Supply pressure 4 bar



#### Suction Flow Rate/Vacuum Curves - Supply pressure 4 bar



#### Suction Flow Rate Generated - Supply pressure 4 bar

