

# IMU

## Axial Ball-Joints



IMU series ball-joints are recommended for gripping rounded or rotating products.

When installed on a flat suction cup, they provide greater force than a bellows suction cup.

The vacuum connection is axial and sealing is ensured by a special seal always in contact with the spherical articulation.

The suction pad installed over the axial ball joint is free to rotate on its axis around 360° and can incline up to 15°

The ball joints are manufactured entirely in copper except the spherical joint made in stainless steel.

### Materials


**Ball-joint** Zinc-plated steel and brass

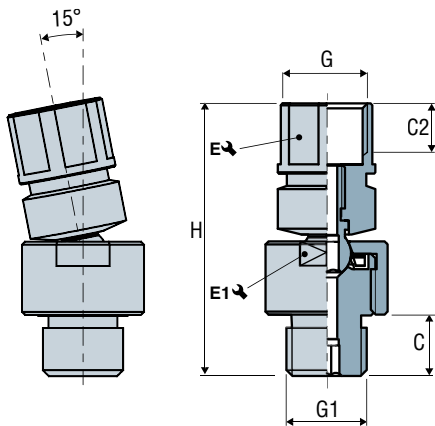
**Seal** Nitrile (NBR)

4

IMU

### Characteristics

References	G	G1	C2	C	E ↻	E1 ↻	H	 (g)
<b>IMU 18</b>	G1/8"-F	G1/8"-M	8	8.5	11	18	43	40
<b>IMU 14</b>	G1/4"-F	G1/4"-M	8	10	15	18	44.6	56
<b>IMU 38</b>	G3/8"-F	G3/8"-M	13	13	26	28	63.3	206
<b>IMU 12</b>	G1/2"-F	G1/2"-M	15	17	26	28	72.3	232



Please specify the part e.g.: IMU14  
See part n° table above.

Note: All dimensions are in mm