

# MS

## Quick Release Devices



Economical solution developed especially for Coval micro-ejectors to suit applications requiring blow-off combined with very reduced size and weight. This device enables the user to connect the compressed air network directly onto the M5 fitting.

### Advantages

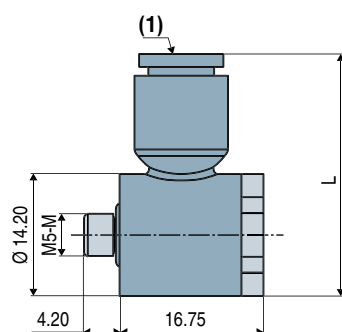
- Allows blow-off on VR or any other M5 fitting
- Reduces cycle times
- Avoids using a vacuum-proof distributor.

### Technical Characteristics

Model	Push fitting	L
MS2M5	Ø 2.7x4	25.8
MS4M5	Ø 4x6	28.10

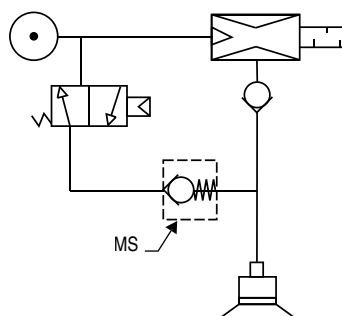
- Pressure connection by push fitting for Ø 4x6 or 2.7x4 tube
- Connection to the vacuum network by M5 male threaded fitting
- Blow-off flow rate at 5 bar: 100 NI/min
- Materials: polyamide PA 6.6 + brass (CuZn) + nitrile (NBR)


### Dimensions



(1) Push fitting

### Pneumatic Diagram



 For all orders, please specify:  
Model + Push fitting  
e.g. : MS2M5

1: Model	2: Push fitting
MS2M5	Ø 2.7x4
MS4M5	Ø 4x6

Note: all dimensions are shown in (mm)