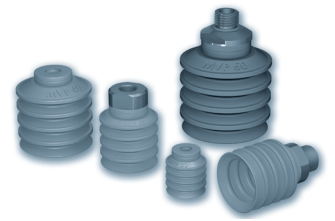
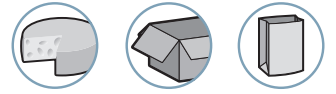


MVP

Suction Cups with 4.5 Bellows



Industry-specific applications



Types of use



The MVP series suction cups are designed to the handling of raw food or flexible packaging at high speeds. The thin gripping lip allows to fit with the product to be handled and the 4.5 bellows give a swivelling effect to ensure the positioning of the suction cup when the product is held. Furthermore, once in grip, the rigidity of the compressed bellows ensures a very good prehension of the object and avoids the swing effect.

- Thin and flexible shaped lip for a perfect handling at high production rates
- 4.5 bellows
- Ø 20-30-40-50 mm
- Available in 3 materials:
 - Blue Silicone (SIBL5) to meet FDA and CE 1935/2004 standards.
 - Detectable Blue Silicone (SI5BD), load with 30% of detectable particles and meets the CE 1935/2004 standards.
 - Nitrile (NBR)
- Fittings available with or without inner filtering grid.
- Male fittings (IM) equipped with O-ring sealing




Applications

The high flexibility of the MVP suction cups lips allows to handle at great speed all kind of materials or foodstuff : Flowpack, Doypack, pouch bags,thermoformed trays, raw products (sausage,fresh fish, biscuits,chocolates)...

Materials


- NBR** Nitrile
- SIBL5** Blue silicone 50 shore A
- SI5BD** Blue silicone 50 shore A detectable

Suction Cup Characteristics

	Ø (mm)	 (cm ³)	 (lbf)	NBR	SIBL5	SI5BD
MVP204.5	20	3.2	0.97	MVP204.5NBR	MVP204.5SIBL5	MVP204.5SI5BD
MVP304.5	30	11.6	2.81	MVP304.5NBR	MVP304.5SIBL5	MVP304.5SI5BD
MVP404.5	40	25.3	3.71	MVP404.5NBR	MVP404.5SIBL5	MVP404.5SI5BD
MVP504.5	50	50.4	6.25	MVP504.5NBR	MVP504.5SIBL5	MVP504.5SI5BD

(1) Actual holding force of the suction cup at a vacuum of 65% on flat and smooth surface and safety factor of 2 included.

Choice of Fittings

 (Ø)	G1/8"-M	G1/8"-F	G1/4"-M	G3/8"-M
20	■	-	-	-
30	-	■	■	■
40	-	■	■	■
50	-	-	■	■

■ Standard available configurations (suction cup + fitting) Fitting: M = male F = female refer to page 3/2

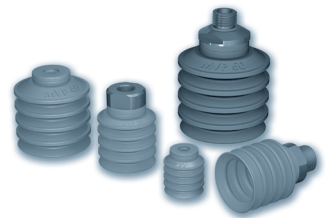
Type of Assembly




Version E: Pressed fitting





Specify the part number e.g.: MVP304.5SIBL5
Please refer to the characteristics table above



References «Suction Cup + Fitting»

Ø mm	E 		
	G1/8"-M		
	Fitting with filter	Fitting without filter	
Ø 20 mm	MVP204.5NBR	MVP204.5NBRIM18F	MVP204.5NBRIM18
	MVP204.5SIBL5	MVP204.5SIBL5IM18F	MVP204.5SIBL5IM18
	MVP204.5SI5BD	MVP204.5SI5BDIM18F	MVP204.5SI5BDIM18

Ø 30 - 40 mm	E 		G1/8"-F		G1/4"-M		G3/8"-M	
	Fitting with filter		Fitting without filter		Fitting with filter		Fitting without filter	
	MVP304.5NBR	MVP304.5NBRIF18F	MVP304.5NBRIF18	MVP304.5NBRIM14F	MVP304.5NBRIM14	MVP304.5NBRIM38F	MVP304.5NBRIM38	
MVP304.5SIBL5	MVP304.5SIBL5IF18F	MVP304.5SIBL5IF18	MVP304.5SIBL5IM14F	MVP304.5SIBL5IM14	MVP304.5SIBL5IM38F	MVP304.5SIBL5IM38		
MVP304.5SI5BD	MVP304.5SI5BDIF18F	MVP304.5SI5BDIF18	MVP304.5SI5BDIM14F	MVP304.5SI5BDIM14	MVP304.5SI5BDIM38F	MVP304.5SI5BDIM38		
MVP404.5NBR	MVP404.5NBRIF18F	MVP404.5NBRIF18	MVP404.5NBRIM14F	MVP404.5NBRIM14	MVP404.5NBRIM38F	MVP404.5NBRIM38		
MVP404.5SIBL5	MVP404.5SIBL5IF18F	MVP404.5SIBL5IF18	MVP404.5SIBL5IM14F	MVP404.5SIBL5IM14	MVP404.5SIBL5IM38F	MVP404.5SIBL5IM38		
MVP404.5SI5BD	MVP404.5SI5BDIF18F	MVP404.5SI5BDIF18	MVP404.5SI5BDIM14F	MVP404.5SI5BDIM14	MVP404.5SI5BDIM38F	MVP404.5SI5BDIM38		

Ø 50 mm	E 		G1/4"-M		G3/8"-M			
	Fitting with filter		Fitting without filter		Fitting with filter		Fitting without filter	
	MVP504.5NBR	MVP504.5NBRIM14F	MVP504.5NBRIM14	MVP504.5NBRIM38F	MVP504.5NBRIM38			
MVP504.5SIBL5	MVP504.5SIBL5IM14F	MVP504.5SIBL5IM14	MVP504.5SIBL5IM38F	MVP504.5SIBL5IM38				
MVP504.5SI5BD	MVP504.5SI5BDIM14F	MVP504.5SI5BDIM14	MVP504.5SI5BDIM38F	MVP504.5SI5BDIM38				

Dimensions «Suction Cup + Fitting»

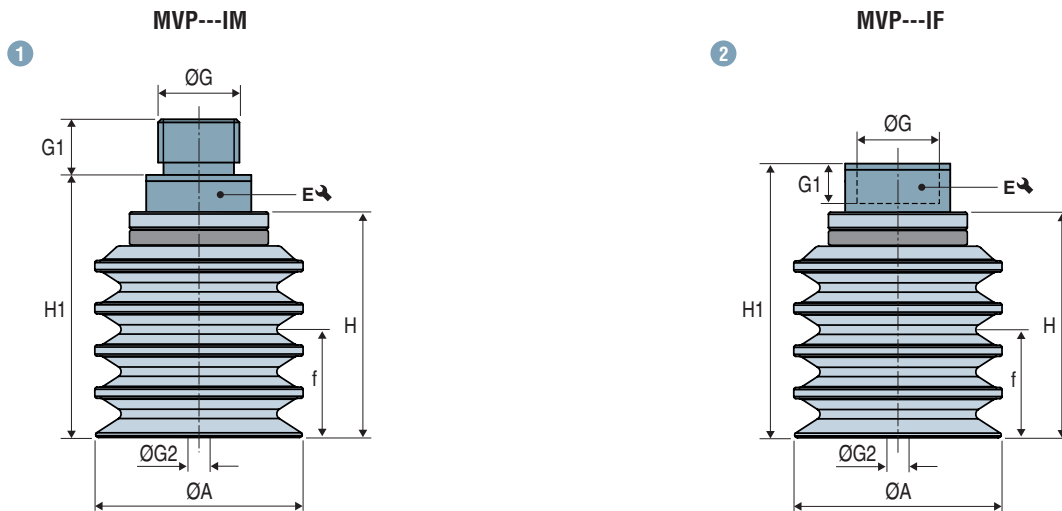


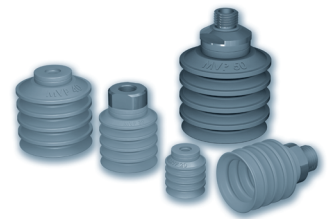


	Diagram	ØA	f ⁽¹⁾	H	H1	ØG	G1	ØG2 ⁽²⁾	E 	 (g)
MVP204.5---IM18-	1	20	13.2	22.3	27.3	G1/8"-M	7	4	13	5.3
MVP304.5---IF18-	2	30	20.2	32.5	40.5	G1/8"-F	7.2	4	17	11.5
MVP304.5---IM14-	1	30	20.2	32.5	38.5	G1/4"-M	9	6	17	12.4
MVP304.5---IM38-	1	30	20.2	32.5	38.5	G3/8"-M	10	6	22	17
MVP404.5---IF18-	2	40	27	41.2	49.2	G1/8"-F	7.2	4	17	18.8
MVP404.5---IM14-	1	40	27	41.2	47.2	G1/4"-M	9	6	17	19.7
MVP404.5---IM38-	1	40	27	41.2	47.2	G3/8"-M	10	6	22	24.3
MVP504.5---IM14-	1	50	32.8	52.1	58.1	G1/4"-M	9	6	22	35.6
MVP504.5---IM38-	1	50	32.8	52.1	58.1	G3/8"-M	10	6	22	38.6

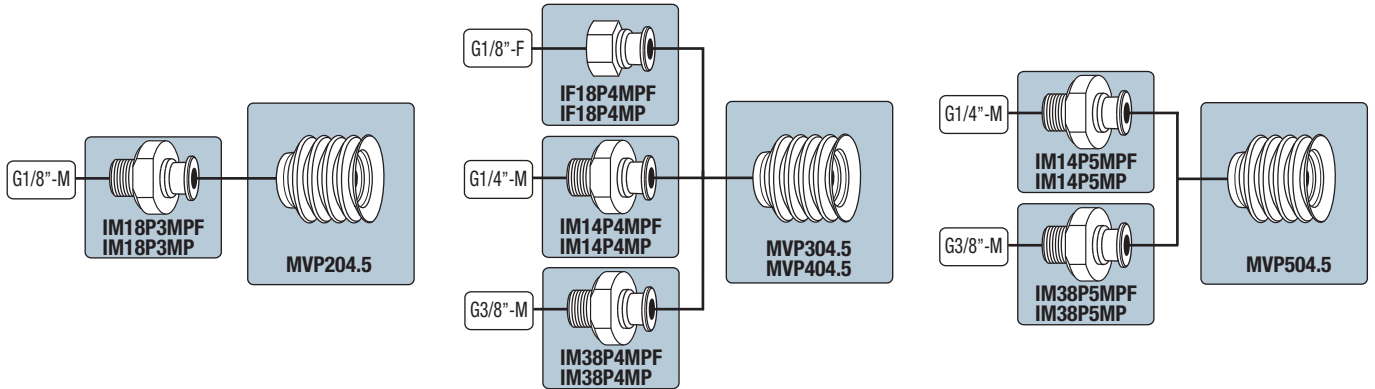
Note: All dimensions are in mm.

(1) f = Deflection of the suction cup.

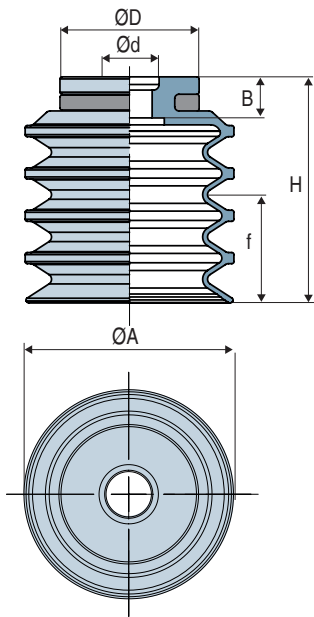
(2) Ø G2 = Ø internal orifice of the fitting.



Assembly Diagrams



Dimensions Suction Cups

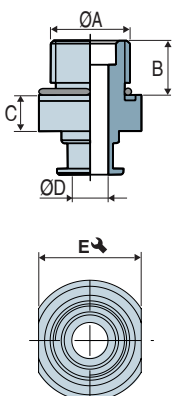


	Ø A	H	Ø d	Ø D	f ⁽²⁾	B	⚖ (g)
MVP204.5	20	22.3	6	14	13.2	4.8	2.1
MVP304.5	30	32.5	6.5	20	20.2	6.9	5.4
MVP404.5	40	41.2	6.5	19.5	27	6.9	12.7
MVP504.5	50	52.1	6.5	27	32.8	9.9	23.5

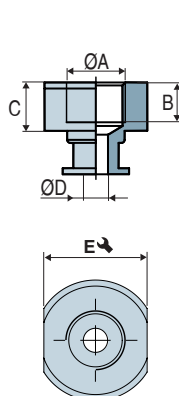
(2) f = Deflection of the suction cup.

Dimensions Fittings

Male fittings



Female fittings



Fitting with stainless steel filter 200 µm	Fitting without filter	ØA	B	C	ØD	E ↘	Materials Fitting*	⚖ (g)
IM18P3MPF	IM18P3MP	G1/8"-M	7	5	4	13	Aluminum	3.2
IF18P4MPF	IF18P4MP	G1/8"-F	7.2	8	4	17	Aluminum	6.1
IM14P4MPF	IM14P4MP	G1/4"-M	9	6	6	17	Aluminum	7
IM14P5MPF	IM14P5MP	G1/4"-M	9	6	6	22	Aluminum	12.1
IM38P4MPF	IM38P4MP	G3/8"-M	10	6	6	22	Aluminum	11.6
IM38P5MPF	IM38P5MP	G3/8"-M	10	6	6	22	Aluminum	15.1

*Male fittings (IM) equipped with O-ring sealing

The values represent the average characteristics of our products.
Note: All dimensions are in mm