



COVAL

vacuum managers

CVGC

CARBON Vacuum Grippers
for **OMRON/TECHMAN** cobots



Carbon Vacuum Grippers

General Information

With their innovative design, Coval's **CVGC** carbon vacuum grippers correspond perfectly to the weight constraints, flexibility and safety of collaborative robot applications.

The **CVGC** series is composed of:

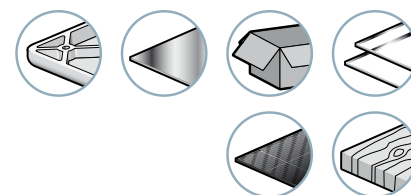
- a carbon structure, 2.5 times lighter than aluminum and offering mechanical strength 6 times greater
- flexible material on the gripper edges, to protect both gripper and operator
- foam gripping interface, for versatile product handling
- a plastic "function" block, including vacuum generator, pilot control cartridge, silencer and vacuum switch...

... all this, in a very compact and ultralight design, guarantees a fast setup and easy integration on the robot.

The three standard formats allow you to choose your **CVGC** and ensure the handling of your loads: corrugate, plastics, metal/glass plates, etc.



Industry-specific applications



Advantages

- Ultra-light and compact, due to their carbon design.
- Suitable for collaborative robot applications, heavy-duty robots and special machines.
- Fully integrated, allowing for an easy and fast installation.

Characteristics

| | Dimensions L x W x H (mm) | Air drawn in (NI/min) | Air consumed (NI/min) | Capacity ⁽¹⁾ (kg) | Weight (kg) |
|---------------------|------------------------------|--------------------------|--------------------------|---------------------------------|----------------|
| CVGC 150X150 | 150 x 150 x 90 | 90 | 135 | 30 | 0.8 |
| CVGC 240X120 | 240 x 120 x 90 | 180 | 270 | 38 | 1.0 |
| CVGC 320X160 | 320 x 160 x 90 | 210 | 345 | 68 | 1.3 |

(1) Indicative force for a vacuum gripper with foam interface covered 100% by the load, including a safety factor of 2 for horizontal handling and rigid, airtight surface.



Applications

The **CVGC** vacuum gripper provide a unique solution for the handling of products in various industrial sectors:

- Packaging
- Plastics
- Metal
- Glass
- Composite
- Wood



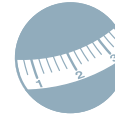


Ultra-light

Carbon design guarantees strength, rigidity and an unmatched lightness.

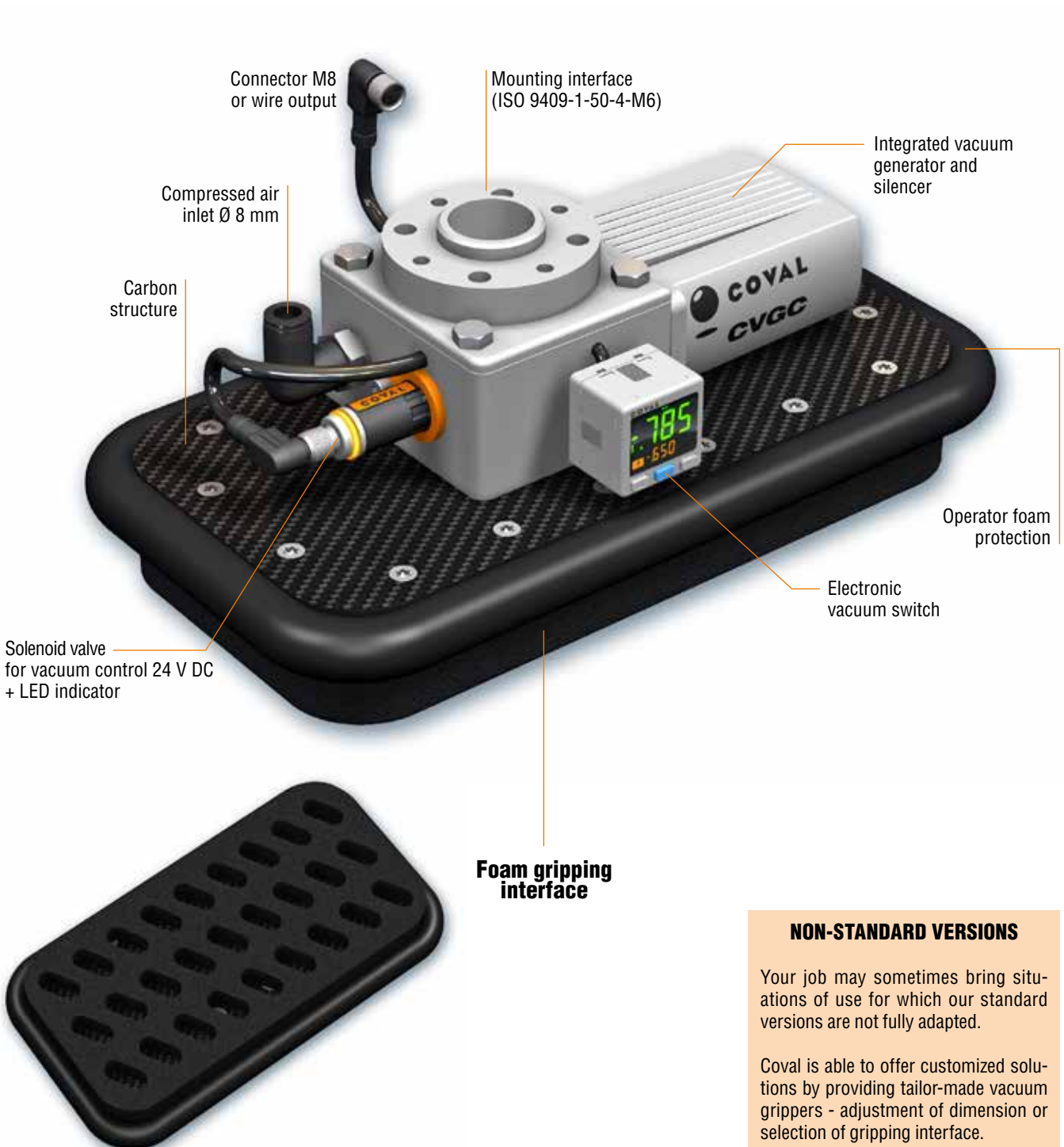


Vacuum Generator Integrated



3 Standard Formats

150 x 150 mm
240 x 120 mm
320 x 160 mm



NON-STANDARD VERSIONS

Your job may sometimes bring situations of use for which our standard versions are not fully adapted.

Coval is able to offer customized solutions by providing tailor-made vacuum grippers - adjustment of dimension or selection of gripping interface.

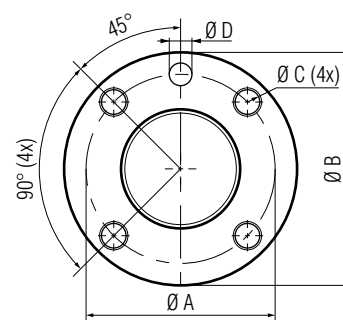


To Order

| | | | |
|-------------------|---------------------|--|-------------------------------|
| | CVGC 240X120 | A50 | C2 |
| DIMENSIONS | | ISO 9409-1 ROBOT MOUNTING INTERFACE | ELECTRICAL CONNECTIONS |
| 150 x 150 mm | 150X150 | A50 | C2 M8 - Male 5-pins |
| 240 x 120 mm | 240X120 | ISO 9409-1-50-4-M6 | C4 Wire outlet 2 m. |
| 320 x 160 mm | 320X160 | | C5 Wire outlet 5 m. |

ISO 9409-1 Robot Mounting Interface

| Version | Standard | Ø A (mm) | Ø B (mm) | Ø C (mm) | Ø D (mm) | |
|---------|--------------------|----------|----------|---------------|----------|-------------------------------|
| A50 | ISO 9409-1-50-4-M6 | 50 | 63 | M6 (4 screws) | 6 | Omron/Techman TM5, TM12, TM14 |

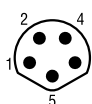


Electrical Connections

- **C2:** M8 connector - male 5-pins elbow, cable length 150 mm



Omron/Techman TM5, TM12, TM14



- 1 +24V DC permanent
- 2 "Gripped product" switching output 24 V DC PNP/NPN NO or NC
- 3 Vacuum Control 24 V DC PNP/NPN
- 4 "Vacuum level" signal analogic 1 to 5 V DC
- 5 0 V - GND

- **C4 / C5:** 5-wire output, cable length 2 m (C4) or 5 m (C5)

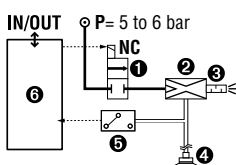


Any application requiring cables to be routed outside the robot arm + any robot whose housing connection does not match C2.



- 1 Brown: +24V DC permanent
- 2 Blue: 0 V - GND
- 3 Black: "Gripped product" switching output 24 V DC PNP/NPN NO or NC
- 4 White: Vacuum Control 24 V DC PNP/NPN
- 5 Grey: "Vacuum level" signal analogic 1 to 5 V DC

General Characteristics



- 1 "Vacuum" solenoid valve
- 2 Venturi
- 3 Through-type silencer
- 4 Foam gripping interface
- 5 Electronic vacuum switch
- 6 Input / Output board

- Supply: non-lubricated air, 5 microns filtered, according to ISO 8573-1:2010 [4:5:4].
- Operating pressure: from 5 to 6 bar
- Optimal pressure:
 - CVGC150x150 / CVGC 320x160: 5.5 bar
 - CVGC240x120: 6 bar
- Maximum vacuum: 85%.
- Vacuum command light: orange LED
- Electric protection grade: IP40
- Control voltage: 24 V DC +/-10%

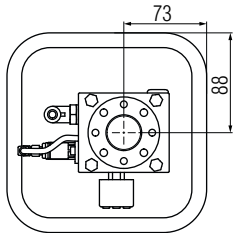
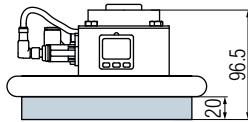
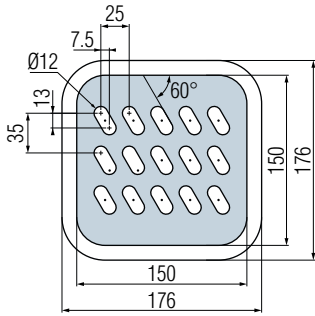
- Vacuum control: 24 V DC PNP/NPN
- Power consumption: 65 mA (no load)
- The switching type of the inputs / outputs is configurable to PNP or NPN
- Outputs:
 - 1 x "Vacuum level" signal analogic 1 to 5 V DC (depending on robot model, see "Electrical Connections" section)
 - 1 x "Gripped product" switching output 24 V DC PNP/NPN NO or NC (125 mA max.)
- Service life: 30 million cycles
- Operating temperature: from 0 to 50° C.
- Materials:
 - Gripper: carbon, PA 6.6 15% FG, brass, stainless steel, PETP.
 - Valve: aluminum, steel, NBR.
 - Foam gripping interface: EPDM.
- Noise level:
 - CVGC 150x150: 72 dBA
 - CVGC 240x120: 71 dBA
 - CVGC 320x160: 66 dBA

The values represent the average characteristics of our products.

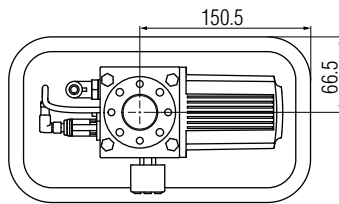
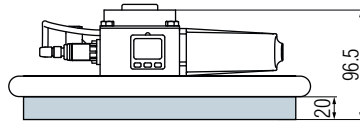
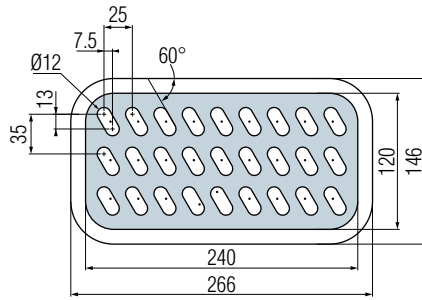


Dimensions

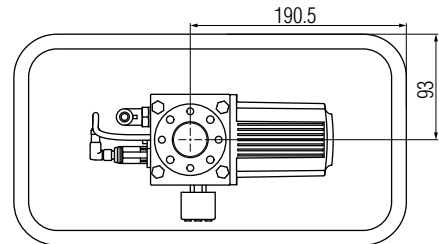
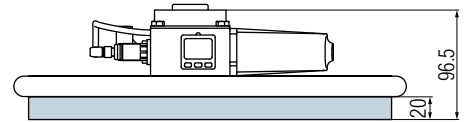
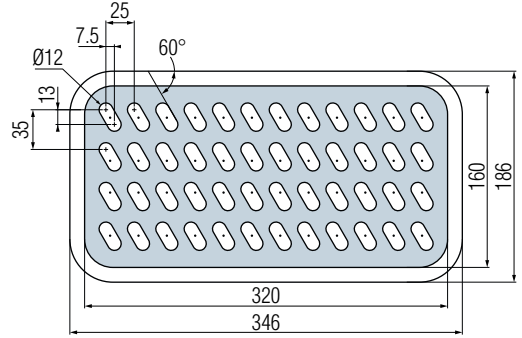
CVGC150X150A_____



CVGC240X120A_____



CVGC320X160A_____



Note: All dimensions are in mm.



COVAL
vacuum managers

vacuum
components



A TECHNOLOGICAL PARTNER ON A GLOBAL SCALE

Located in the southeast region of France, COVAL conceives, manufactures and globally distributes high performance, advanced vacuum automation components and systems for industrial applications in all branches.

COVAL is an ISO 9001: V2015 certified company which offers innovative solutions integrating reliable and optimized components with intelligent functionalities. The focus is to provide the most personalized and economic solution to a given application while assuring a significant improvement in the productivity and the safety for the vacuum users around the world.

COVAL has an ambition for technical excellence and innovation. As a specialist in vacuum automation, COVAL is reputed for offering reliable, personalized, cost effective and productive solutions

The references of COVAL can be found in several industrial sectors (Packaging, Automotive Industry, Plastic, Graphic, Aeronautic...) where vacuum handling is important for high efficiency and productivity.

COVAL markets its products and services all over Europe, in the United States and South America through its subsidiaries and authorized distribution network. COVAL strives to provide customer driven solutions and gives the best possible treatment to satisfy all its clients.

For all enquiries from Australia, Africa and Asia kindly contact COVAL head office in France.



COVAL S.A.S.

Head Office



COVAL INC.



COVAL IBERICA



COVAL GERMANY



COVAL ITALIA



COVAL CHINA

Distributed by:



certified quality
management system

COVAL S.A.S.
Head Office
ZA des Petits Champs
10 allée Jean-Baptiste Venturi
26120 Montélier France
Tel : +33 (0)4 75 59 91 91
Fax : +33 (0)4 75 59 91 05

www.coval.com