

PMG2

Mechanical Feelers



The PMG2 series mechanical feelers are mounted on VP series diameter 30 to 60 mm flat suction cups in all types of material (group 2 suction cups).

The mechanical feeler blocks the path from the vacuum source to the suction cup.

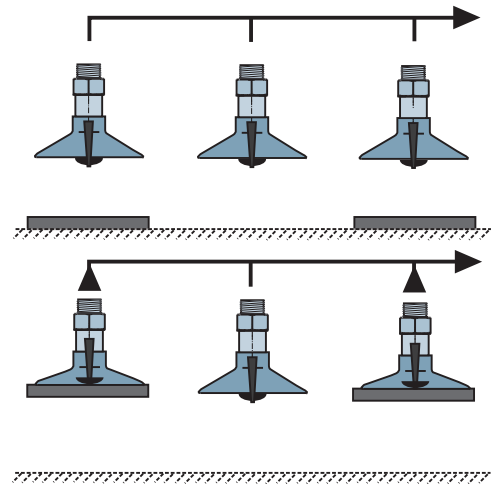
The feeler is actuated by the object, causing it to open and free the path for the vacuum.

Materials

Body Nickel-plated brass

Spring Stainless steel

Feeler Delrin and brass



4

PMG2

Advantages

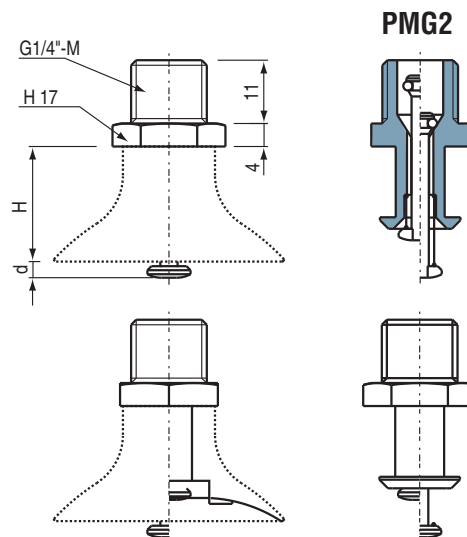
- Simple to install and operate.
- Very efficient air-tightness for non-covered suction cups.
- Little risk of marking delicate objects, as the feeler has a rounded surface.

Mounting

The feelers are mounted by press fitting. It is preferable to allow us to assemble the feeler onto the suction cup.

Characteristics

	VP 30	VP 35	VP 40	VP 50	VP 60
d (mm)	3.9	2.9	2.9	0.9	0.9
H (mm)	19	20	20	22	22



Leakage rate

No leakage if all the suction cups are correctly placed. This represents substantial savings in power with regard to the vacuum source: pneumatic ejector or electric vacuum pumps.



Please specify the part: PMG2

Accessories

Mounting on spring or ball-joint systems (see chapter 4).