



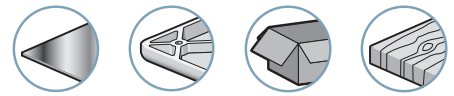
# PSE 100 P

## Pneumatic Vacuum Switch



The PSE 100 P series vacuum switch with pneumatic output allows the vacuum level in the system to be checked by means of a patented system. This vacuum switch exists in two versions: NO version recommended for the "air saving" function on a venturi and NC version for the "safety" function (object detected, etc.) and "SFC signal".

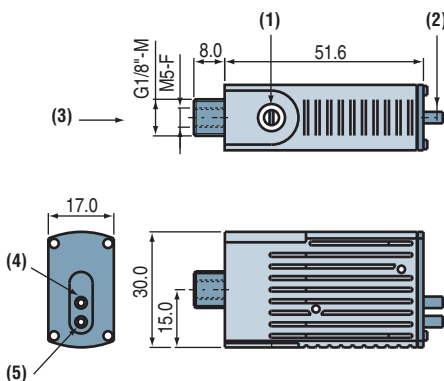
Industry-specific applications



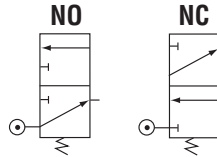
### Specifications

<b>Models</b>	<b>Two versions: NO and NC</b>
<b>Compatible fluids</b>	All non-corrosive gases
<b>Operating pressure</b>	2 to 6 bar
<b>Adjustment range</b>	-400 mb to -800 mb
<b>Precision</b>	3%
<b>Hysteresis</b>	80 to 100 mb
<b>Repetitivity</b>	< 3% of the whole range
<b>Maximum speed</b>	30 cycles per minute
<b>Permissible overpressure</b>	2 bar (destructive at 5 bar)
<b>Mechanical endurance</b>	5 x 10 <sup>6</sup> operations
<b>Materials</b>	Body: Polyacetal - Vacuum sensor: nitrile membrane
<b>Weight</b>	32 g
<b>Temperature</b>	-10 °C to 80 °C / 14 °F to 176 °F
<b>Flow rate at 6 bar</b>	70 NI/min

### Dimensions



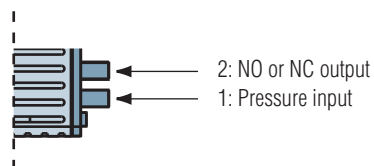
- (1) Vacuum threshold - Adjustment screw
- (2) Hollow shaft for tube, inside  $\varnothing$  2.7 mm
- (3) Vacuum
- (4) NO or NC output
- (5) Pressure input



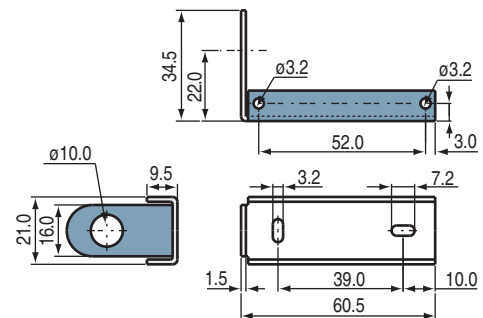
### Additional Information

- Mounting as GVO option in the GVP / GEMP vacuum pump range.

### Pneumatic connection



Vacuum switch attachment - Clip Part No: PSE.F



Note: all dimensions shown in (mm)

For all orders, please specify:  
Model + Version.  
Example: PSE100PNO

1: Model	2: Version
PSE 100 P	NO Normally Open (NO)
	NF Normally Closed (NC)

# PSE 100 PK

## Pneumatic Vacuum Switch

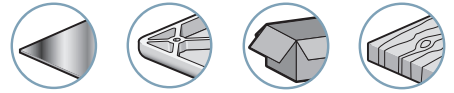


The PSE 100 K vacuum switch with pneumatic output is used to check the vacuum level in the circuit.

It is recommended for measuring slowly changing vacuum levels such as regulating or checking vacuum levels in networks over 1 liter.

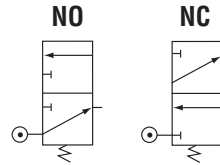
This vacuum switch exists in two versions: NO version recommended for the "air saving" function on a venturi and NC version for the "safety" function (object detected, etc.) and "SFC signal".

Industry-specific applications

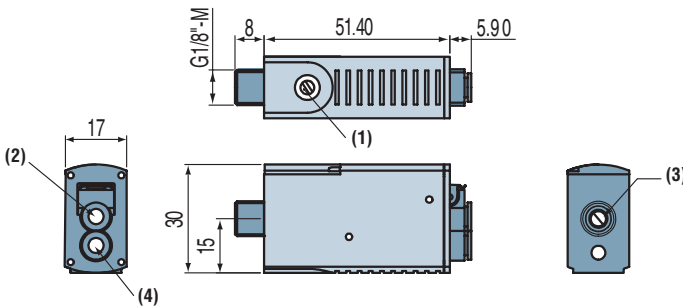


### Specifications

<b>Models</b>	<b>Two versions: NO and NC</b>
<b>Compatible fluids</b>	All non-corrosive, non-lubricated gases
<b>Operating pressure</b>	2 to 6 bar
<b>Adjustment range</b>	NF: -250 to -830 mb, NO: -350 to -880 mb
<b>Precision</b>	± 10 %
<b>Hysteresis</b>	NF: 10 mb - NO: 200 mb
<b>Repetitivity</b>	< 3% of the whole range
<b>Maximum speed</b>	30 cycles per minute
<b>Permissible overpressure</b>	2 bar (destructive at 5 bar) (on vacuum measuring orifice)
<b>Mechanical endurance</b>	5 x 10 <sup>6</sup> operations
<b>Materials</b>	Body: Polyacetal - Vacuum sensor: nitrile membrane
<b>Weight</b>	32 g
<b>Temperature</b>	-10 °C to 80 °C / 14 °F to 176 °F
<b>Flow rate at 6 bar</b>	66 NI/min



### Dimensions

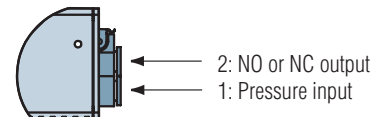


- (1) Vacuum threshold adjustment
- (2) Signal output, NC or NO tube
- (3) M5 Vacuum input
- (4) Pressure input Ø4 tube

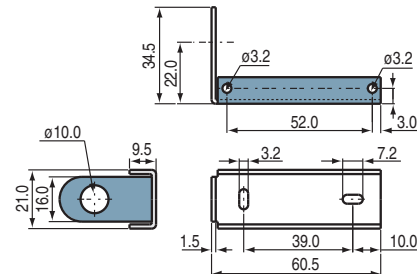
### Additional Information

- Mounting in GVO option in the GVP / GEMP vacuum pump range.

#### Pneumatic connection



Vacuum switch attachment - Clip Part No: PSE.F



Note: all dimensions shown in (mm)

For all orders, please specify:  
Model + Version.  
Example: PSE100PKNO

1: Model	2: Version
PSE 100 PK	NO Normally Open (NO)
	NF Normally Closed (NC)