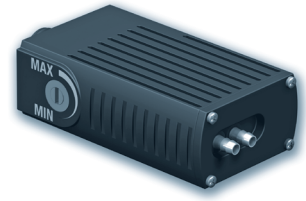


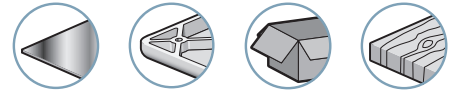
# PSE 100 P

## Pneumatic Vacuum Switch



The PSE 100 P series vacuum switch with pneumatic output allows the vacuum level in the system to be checked by means of a patented system. This vacuum switch exists in two versions: NO version recommended for the "air saving" function on a venturi and NC version for the "safety" function (object detected, etc.) and "SFC signal".

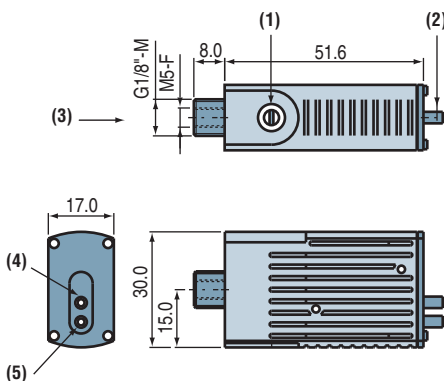
Industry-specific applications



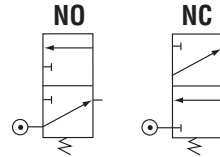
### Specifications

<b>Models</b>	<b>Two versions: NO and NC</b>
<b>Compatible fluids</b>	All non-corrosive gases
<b>Pression d'utilisation</b>	2 to 6 bar
<b>Adjustment range</b>	-400 mb to -800 mb
<b>Precision</b>	3%
<b>Hysteresis</b>	80 to 100 mb
<b>Repetitivity</b>	< 3% of the whole range
<b>Maximum speed</b>	30 cycles per minute
<b>Permissible overpressure</b>	2 bar (destructive at 5 bar)
<b>Mechanical endurance</b>	5 x 10 <sup>6</sup> operations
<b>Materials</b>	Body: Polyacetal - Vacuum sensor: nitrile membrane
<b>Weight</b>	32 g
<b>Temperature</b>	14 °F to 176 °F
<b>Flow rate at 6 bar</b>	2.47 SCFM

### Dimensions



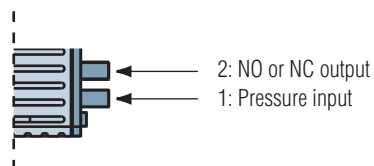
- (1) Vacuum threshold - Adjustment screw
- (2) Hollow shaft for tube, inside  $\varnothing$  2.7 mm
- (3) Vacuum
- (4) NO or NC output
- (5) Pressure input



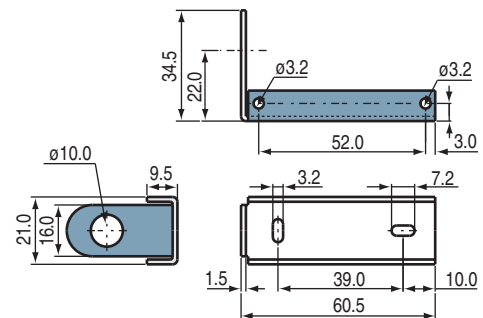
### Additional Information

- Mounting as GVO option in the GVP / GEMP vacuum pump range.

### Pneumatic connection



Vacuum switch attachment - Clip Part No: PSE.F



Note: all dimensions shown in (mm)

For all orders, please specify:  
Model + Version.  
Example: PSE100PNO

1: Model	2: Version
PSE 100 P	NO Normally Open (NO)
	NF Normally Closed (NC)