

PSE 100 PK

Pneumatic Vacuum Switch

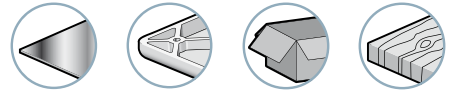


The PSE 100 K vacuum switch with pneumatic output is used to check the vacuum level in the circuit.

It is recommended for measuring slowly changing vacuum levels such as regulating or checking vacuum levels in networks over 1 liter.

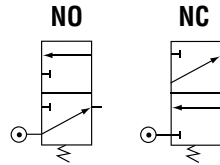
This vacuum switch exists in two versions: NO version recommended for the "air saving" function on a venturi and NC version for the "safety" function (object detected, etc.) and "SFC signal".

Industry-specific applications

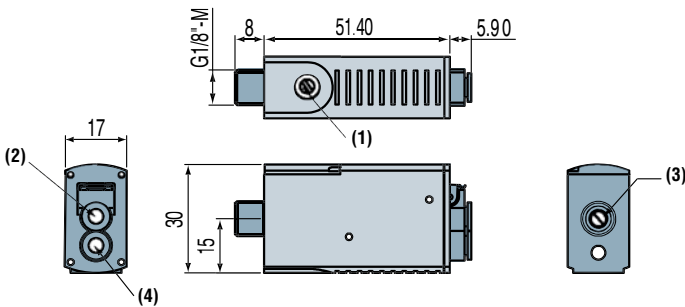


Specifications

| | |
|---------------------------------|--|
| Models | Two versions: NO and NC |
| Compatible fluids | All non-corrosive, non-lubricated gases |
| Operating pressure | 2 to 6 bar |
| Adjustment range | NF: -250 to -830 mb, NO: -350 to -880 mb |
| Precision | ± 10 % |
| Hysteresis | NF: 10 mb - NO: 200 mb |
| Repetitivity | < 3% of the whole range |
| Maximum speed | 30 cycles per minute |
| Permissible overpressure | 2 bar (destructive at 5 bar) (on vacuum measuring orifice) |
| Mechanical endurance | 5 x 10 ⁶ operations |
| Materials | Body: Polyacetal - Vacuum sensor: nitrile membrane |
| Weight | 32 g |
| Temperature | 14 °F to 176 °F |
| Flow rate at 6 bar | 2.33 SCFM |



Dimensions



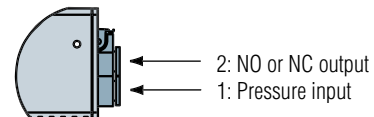
(1) Vacuum threshold adjustment
(2) Signal output, NC or NO tube

(3) M5 Vacuum input
(4) Pressure input Ø4 tube

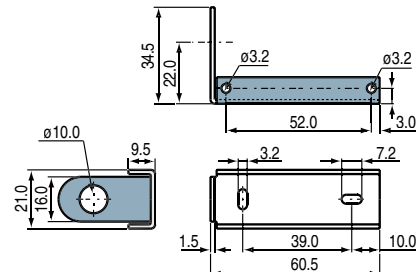
Additional Information

- Mounting in GVO option in the GVP / GEMP vacuum pump range.

Pneumatic connection



Vacuum switch attachment - Clip Part No: PSE.F



Note: all dimensions shown in (mm)

For all orders, please specify:
Model + Version.
Example: PSE100PKNO

| 1: Model | 2: Version |
|------------|-------------------------|
| PSE 100 PK | NO Normally Open (NO) |
| | NF Normally Closed (NC) |