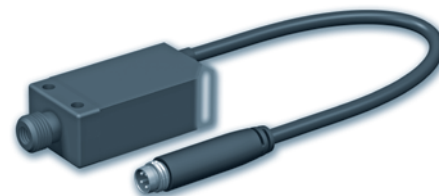


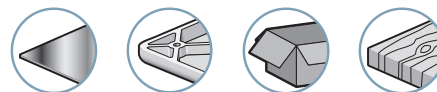
# PSP 100 CX

## Electronic Vacuum Switch



The electronic vacuum PSP100CX integrates standard threshold and hysteresis adjustment. It is equipped with two vacuum connections (G1/8"-Male, M5-Female) and an M8 connector 4-pin for electrical connection.

Industry-specific applications

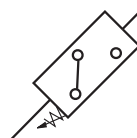


### Specifications

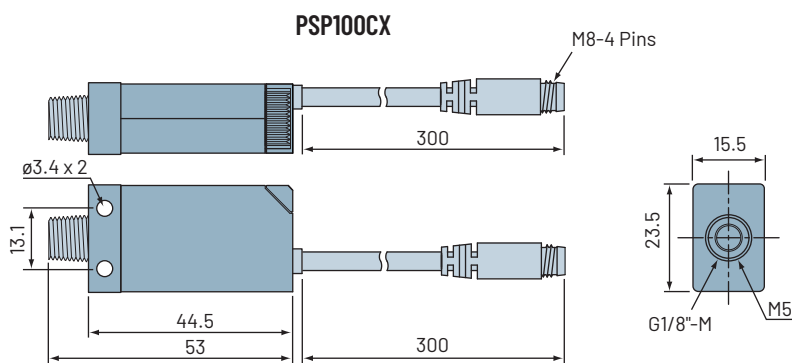
<b>Models</b>	<b>PSP100CX</b>
<b>Compatible fluids</b>	All non-corrosive, filtered, non-lubricated gases
<b>Supply</b>	Regulated 12-24 V DC, polarity inversion protection
<b>Current consumed</b>	< 21 mA
<b>Transistor output</b>	NO 80 mA with 24 VDC
<b>Thermal drift</b>	± 3% of the measuring scale between 0 and 50°C / 32 and 122°F
<b>Output viewing</b>	LED
<b>Response time</b>	< 5 ms
<b>Threshold adjustment</b>	By 3/4 turn potentiometer
<b>Hysteresis adjustment</b>	0 to 10% adjustment by 3/4 turn potentiometer
<b>EMC</b>	Industrial standard class B
<b>Materials</b>	PA 66, brass and aluminium
<b>Temperature</b>	Operation: 0 to 50 °C / 32 to 122 °F Storage: -20 to 60 °C / -4 to 140 °F
<b>Protection</b>	IP 40
<b>Electrical connection</b>	M8 connector 4-pin (cable length: 0.3 m)
<b>Pneumatic connection</b>	G1/8"-M or M5-F
<b>Weight</b>	22 g
<b>Adjustment range</b>	0 to -1 bar

### Advantages

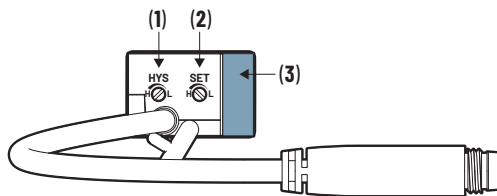
- 1 adjustable digital output
- Adjustable hysteresis
- Measuring range: 0 / -1 bar
- Overpressure: +3 bar
- PNP



### Dimensions



- (1) Hysteresis adjustment
- (2) Threshold adjustment
- (3) Threshold display LED



### Additional Information

#### Electrical connections

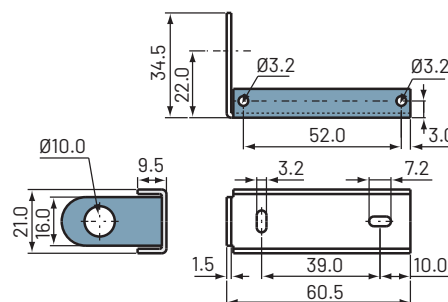
- M8 connector 4-pin (cable length: 0.3 m)



- 1 = + 24 V - Brown
- 2 = -
- 3 = 0 V - Blue
- 4 - Contact - Black

### Accessories

- Vacuum switch attachment - Clip Part No: PSEF



### Accessories

- Straight or angled connector, see page 11/12.
- Mounting on vacuum pump:
  - GVP series: GVOPSP100CX
  - GEMP series: VB option

Note: all dimensions shown in (mm)



For all orders, please specify: PSP100CX