

# REV 38

## Vacuum Regulator



When connected to an electric vacuum pump, the REV series vacuum regulator ensures a precise, stable vacuum. The user can obtain very fine adjustment thanks to the adjustment knob.

### Characteristics

- Vacuum supply (Max): -1013 mbar
- Adjustment precision: 3.4 mbar
- Through flow: 85 NI/min to -846 mbar
- Operating temperature : 4 to 90°C / 40 to 194°F

### Specifications

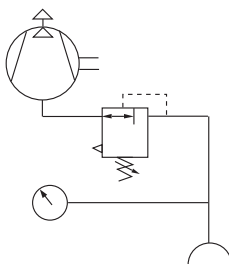
Adjustment	By threaded pin
------------	-----------------

Material:

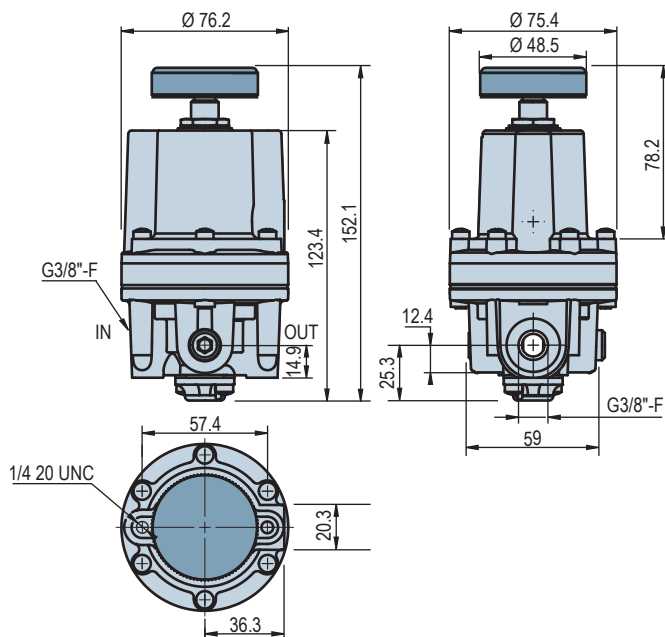
Body: **Aluminum**

Internal system: **brass, zinc-plated steel**

Elastomer: **Nitrile**



### Dimensions



REV 38

14



For all orders, please specify: REV 38