

REV 38

Vacuum Regulator



When connected to an electric vacuum pump, the REV series vacuum regulator ensures a precise, stable vacuum. The user can obtain very fine adjustment thanks to the adjustment knob.

Characteristics

- Vacuum supply (Max): -1013 mbar
- Adjustment precision: 3.4 mbar
- Through flow: 3 SCFM to -846 mbar
- Operating temperature : 40 to 194°F

Specifications

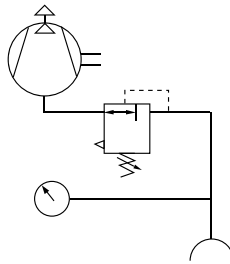
Adjustment	By threaded pin
------------	-----------------

Material:

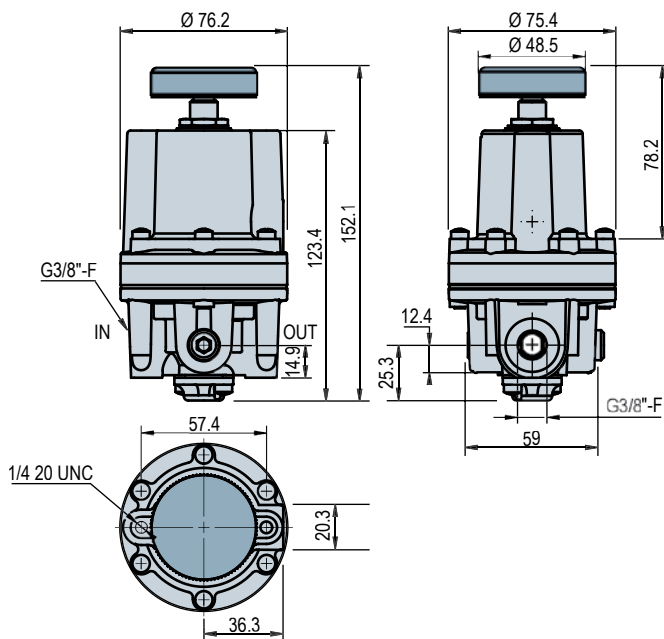
Body: **Aluminum**

Internal system: **brass, zinc-plated steel**

Elastomer: **Nitrile**



Dimensions



For all orders, please specify: REV 38