



The TCL Series side-channel blowers, thanks to their high suction capacities, allow the handling of cartons, mousses, or other porous materials.

Industry-specific applications



Advantages

- High suction capacity
- Vibration-free
- Maintenance-free: self-lubricated bearings, contactless impeller
- Integrated safety valve (optional)
- Wide range of vacuum to meet specific applications

Characteristics

Models	Hz	m ³ /h	Vacuum (%) ¹	kW	Number of stages	Voltage (V) ²	Intensity (A)	dB(A) ³	⚖️ (g)
TCL210T40A2S	50	210	39	4.0	2	345-415 Δ / 600-720 Y	10 Δ / 5.8 Y	72	44
	60	250	41	4.6		380-480 Δ / 660-720 Y	9.9 Δ / 5.71 Y	74	44
TCL315T43A2S	50	315	36	4.3	2	345-415 Δ / 600-720 Y	10 Δ / 5.2 Y	73	54
	60	375	32	4.8		380-480 Δ / 660-720 Y	10.4 Δ / 6 Y	76	54
TCL530T75A2S	50	530	40	7.5	2	345-415 Δ / 600-720 Y	16.7 Δ / 9.6 Y	74	86
	60	620	36	8.6		380-480 Δ / 660-720 Y	17.3 Δ / 10 Y	78	86
TCL1050T125B1S	50	1050	29	12.5	1	345-415 Δ / 600-720 Y	28 Δ / 16.2 Y	74	116
	60	1250	27	14.5		380-480 Δ / 660-720 Y	29 Δ / 16.7 Y	79	116

(1) Relief valves are available for limiting differential pressure

(2) Other voltages are available on request

(3) Noise level measurement acc. to EN ISO 3744 at a distance of 1m with hoses connected

Specifications

Degree of electrical protection	IP55
Thermal class	ISO F
Certifications	CE, UL and CSA
Materials	Housing and impeller made of die-cast aluminium
Ambient temperature	-25°C to +40°C

Accessories on demand:

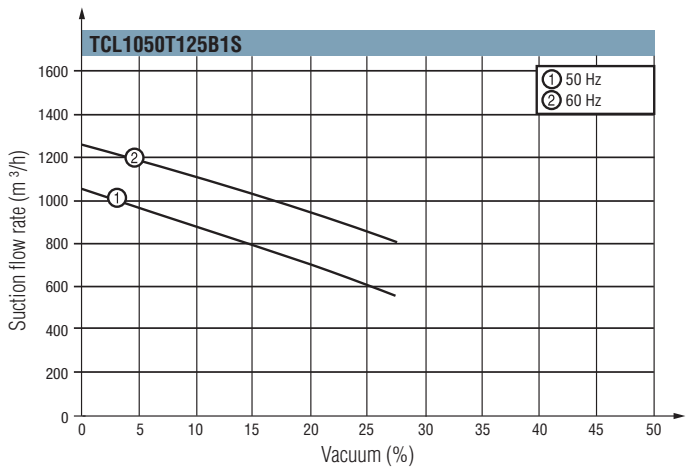
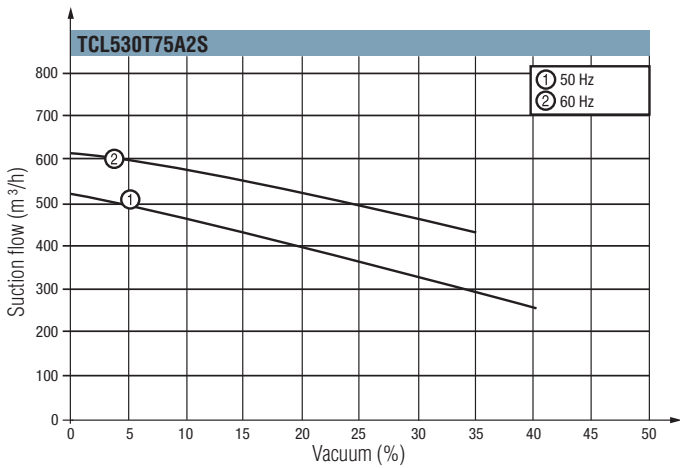
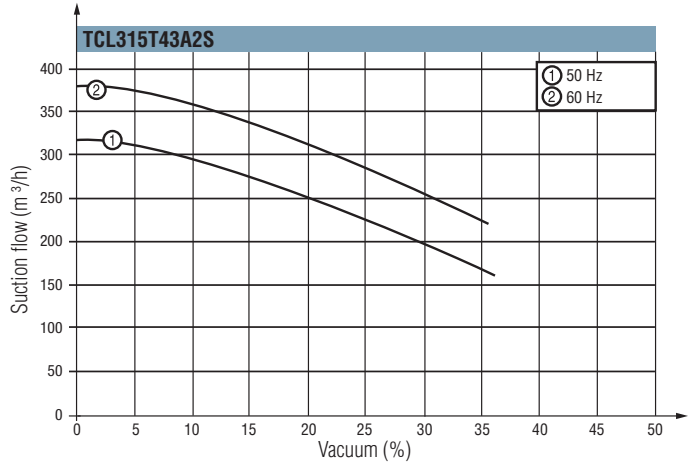
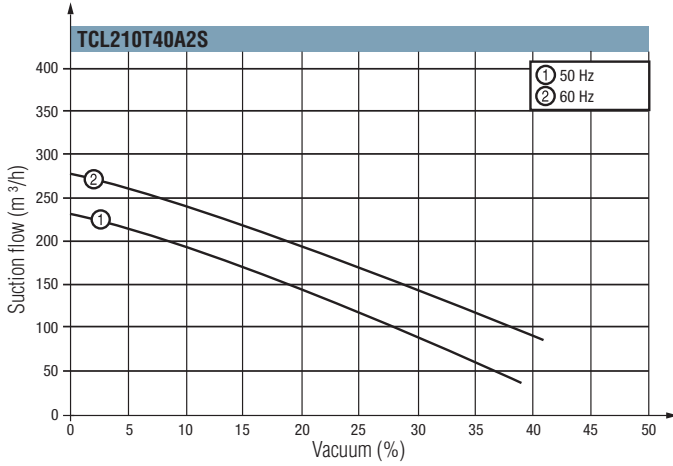
- Safety valve
- Reversing valve
- Sound proofing box



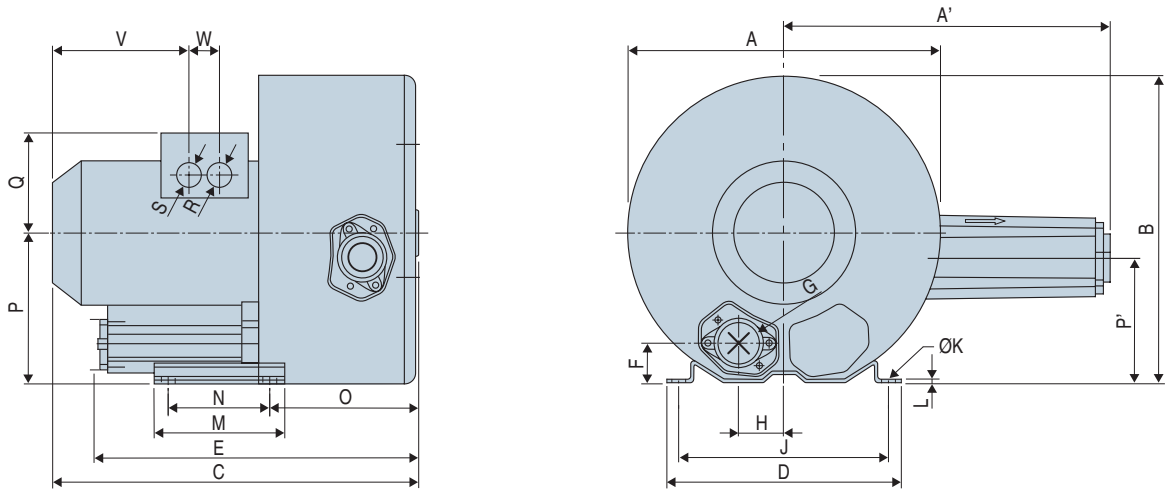
Specify the part number: **TCL210T40A2S**
Please refer to the characteristics table above



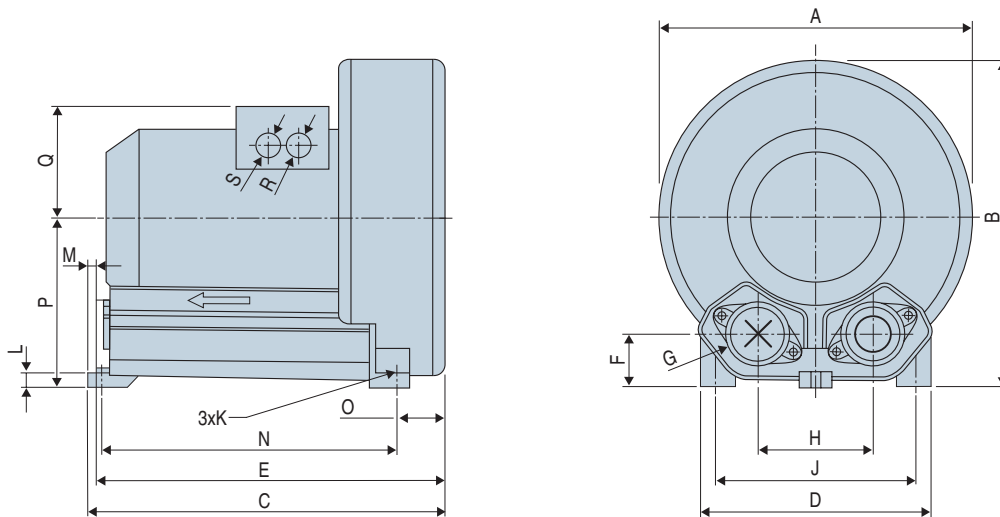
Suction flow (m³/h) / Vacuum (%)



Curves are valid for continuous operation; medium: air at 15 °C, measured at inlet port and atmospheric back pressure of 1013 hPa (mbar abs.), Tolerance: ± 10%; ambient temperature : -25°C to +40°C



Models	A	A'	B	C	D	E	F	G	H	J	K	L	M	N	O	P	P'	Q	R	S
TCL210T40A2S	372	431	361	500	295	404	48	G 2"	60	260	14	4	155	115	171	175	144	135	4xM32x1.5	
TCL315T43A2S	426	426	420	526	325	449	54	G 2"	63	290	15	4.5	180	140	205	198	164	148	4xM32x1.5	
TCL530T75A2S	500	579	491	589	394	575	66	G 2 1/2"	76	356	15	6	217	170	236	241	200	167	4xM32x1.5	



Model	A	B	C	D	E	F	G	H	J	K	L	M	N	O	P	Q	R	S
TCL1050T125B1S	560	579	645	412	613	92	G 4"	207	360	15	21	39	533	89	300	197	4xM32x1.5	

Dimensions in mm
The values are representative of the average characteristics of our products.