

TS

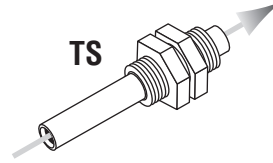
Level Compensators



TS series compensated spring systems are recommended for horizontal handling of parts at different levels. The spring function also ensures that the gripping points are applied on the same plane when gripping with multiple suction cups.

Materials

- Spring** Stainless steel
- Tubing** Zinc-plated steel
- Slider** Brass



Characteristics

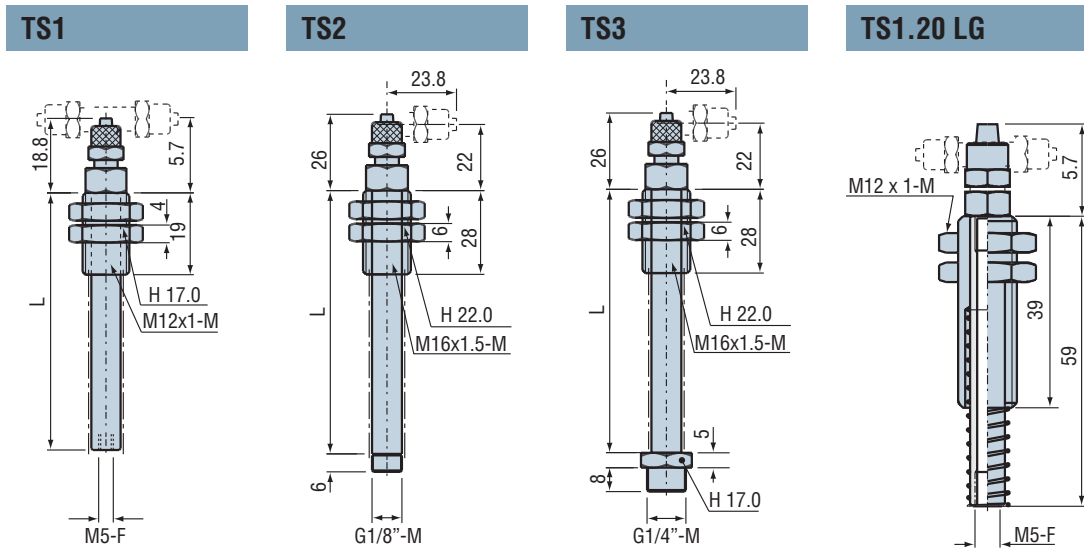
Models	TS1				TS2				TS3				TS1.20 LG
Stroke	05	10	20	30	10	30	50	70	10	30	50	70	20
L	29	39	59	79	48	88	128	168	48	88	128	168	59
k (N/mm)	0.36	0.15	0.07	0.045	0.9	0.2	0.115	0.08	0.9	0.2	0.115	0.08	0.07
Frep (N)	1.00	1.70	1.45	2	8.1	4.2	4.5	4.5	5.1	4.2	4.5	4.5	1.45

Note: All dimensions are in mm

k = Spring stiffness

Frep = Force at rest

4
TS



Please specify the part n° e.g.:
Model + Spring stroke + Fitting
 e.g.: **TS350C46**

1: Model	2: Spring stroke	3: Fittings (for TS series)
TS1	05 - 10 - 20 - 30 (TS1)	D46 (Straight 4 x 6 - TS1, TS2, TS3)
TS2	10 - 30 - 50 - 70 (TS2, TS3)	D68 (Straight 6 x 8 - TS2, TS3)
TS3		C46 (Elbow 4 x 6 - TS1, TS2, TS3)
		C68 (Elbow 6 x 8 - TS2, TS3)
		T46 ¹ (T-shape 4 x 6 - TS1)
		N ² (Without fitting)

Advantage of the TS120LG
 The adjustment height is twice that of the standard TS1 spring system and its spring is protected.

(1) versions T46 and T68 on request for TS2 and TS3.
 (2) For TS1 model, vacuum connection M5-F and for models TS2 and TS3 vacuum connection G1/8"-M.

