

VAF 111

Vacuum Gauge

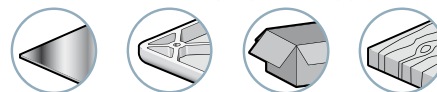


VAF 111 series vacuum gauges are recommended for visually checking the vacuum level for maintenance, monitoring and adjustment purposes.

They are mounted as options on modular vacuum pumps GVP series, reference GVO VAF11140.

See page 7/7.

Industry-specific applications



Characteristics

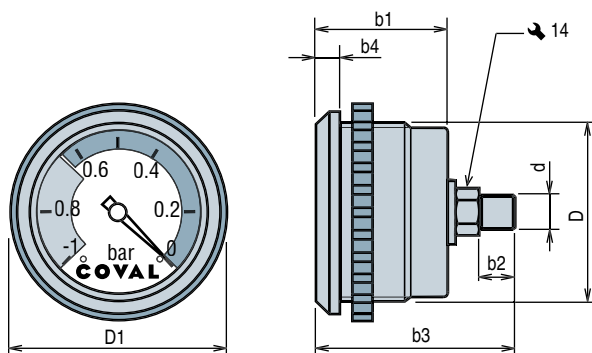
Models	D ⁽¹⁾	D1	b1	b2	b3	b4	d
VAF 111 40	40	43	32.5	12	52	4	G1/8"-M
VAF 111 50	50	54	32.5	12	52	4	G1/4"-M
VAF 111 63	63	68	32.5	12	52	4	G1/4"-M

(1) Flush-mounting diameter.
All dimensions shown in (mm)

Specifications

Damping	By silicone movement - Patented
Ring	Chrome
Measuring	Bourdon tube in CuSn
Precision	cl.2.5 (± 2.5% of max. scale value)
Housing	Black ABS
Temperature	32 to 140°F
Flush-mounting	Ring included in the delivery
Option	as per quantity, possibility of customized dial.

Dimensions



For all orders, please specify:
Model + Version.
Example: VAF11150

1: Model	2: Version
VAF 111	40 Ø 40 mm
	50 Ø 50 mm
	63 Ø 63 mm

VAF 111

11