

# VBO

## Suction Cup for Bottle Handling via the Punt



Industry-specific application



Types of use



Developed in partnership with manufacturers in the wine sector, the VBO suction cup system is designed for gripping bottles by the punt on disgorging stations.

Its modular design allows for a high degree of flexibility in positioning the whole assembly when gripping the base, as well as excellent sealing when gripping different types of bottles

The VBO suction cup system consists of:

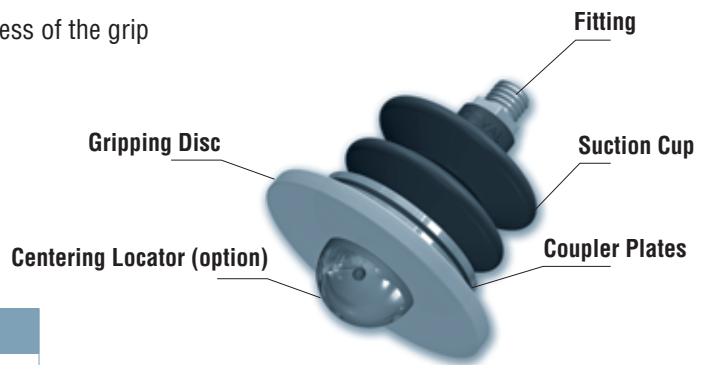
- A 2.5 bellows suction cup, Ø62 mm in Nitrile with 31mm stroke, ensuring a high degree of flexibility in positioning on the bottle base (swivel effect, deflection).
- An aluminium fitting threaded G1/4" -Male allowing the assembly to be mounted on the tool.
- Aluminium top and bottom coupler plates for joining the suction cup to the gripping disc.
- A silicone gripping disc (COVAL-Flex) ensures the tightness of the grip on various punts.

### Materials


**Suction Cup:** NBR - Nitrile

**Fitting and Couplers:** Aluminum

**Gripping Disc:** SI - Silicone

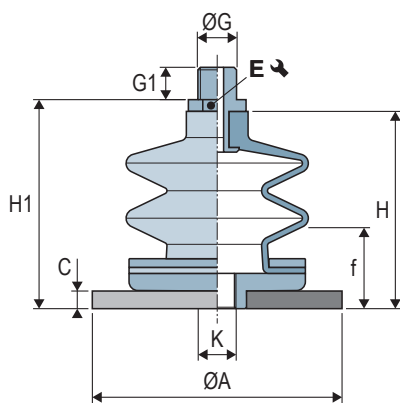


### Suction Cup Characteristics

	Ø (mm)	Volume (cm <sup>3</sup> )	Force (N) <sup>(1)</sup>
VBO60D85A2.5X62NBRM14C0	85	72.5	-

Force to be determined depending on application

### Suction Cup Dimensions



	Ø A	C	f <sup>(2)</sup>	H	H1	Ø G	G1	E 	K	Weight (g)
VBO60D85A2.5X62NBRM14C0	85	6	31	65	69	G1/4"-M	11	Hexa 17	M14-F	130

(2) f = Deflection of the suction cup.



Please specify part n°  
VBO60D85A2.5X62NBRM14C0  
See table of properties above.

The values represent the average characteristics of our products.  
Note: All dimensions are in mm.