



Industry-specific applications



Types of use





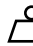
Specially designed for gripping fruits like apple, the VSB suction cup has bellows allowing a swing effect that makes the position of the suction cup easier on the fruit. Its large lip format is very flexible to adapt to the various forms of fruits. It is made of silicone to meet standard compatibilities FDA21 CFR 177.2600 and EC 1935/2004.

Materials

SIT6 Translucent Silicone 60 shore

SIBL5 Blue Silicone 50 Shore A

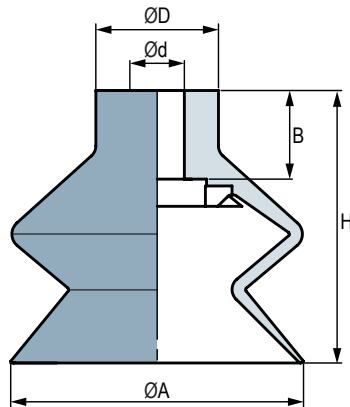
Suction Cup Characteristics

	Ø (mm)	 (N) ⁽¹⁾	 (g)	SIT6	SIBL5
VSB43	43	8	12.6	-	VSB431.5SIBL5
VSB55	55	10	17.3	VSB55SIT6	-

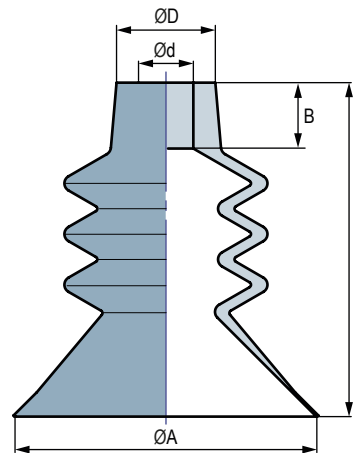
(1) Actual force of the suction cup with 65% vacuum and a safety factor of 2 included.


Suction Cup Dimensions

VSB431.5



VSB55



	ØA	H	Ød	ØD	f ⁽²⁾	B
VSB43	43	40	8	18	20	13
VSB55	55	61	10	18	20	12

(2) f = Deflection of the suction cup.

The values represent the average characteristics of our products.
Note: All dimensions are in mm

Accessories

To optimize the use of your suction cups, Coval offers a comprehensive range of accessories (nozzle fittings, spring extensions, and feeder systems, etc.)



Specify the part number: VSB55SIT6
Please refer to the characteristics table above